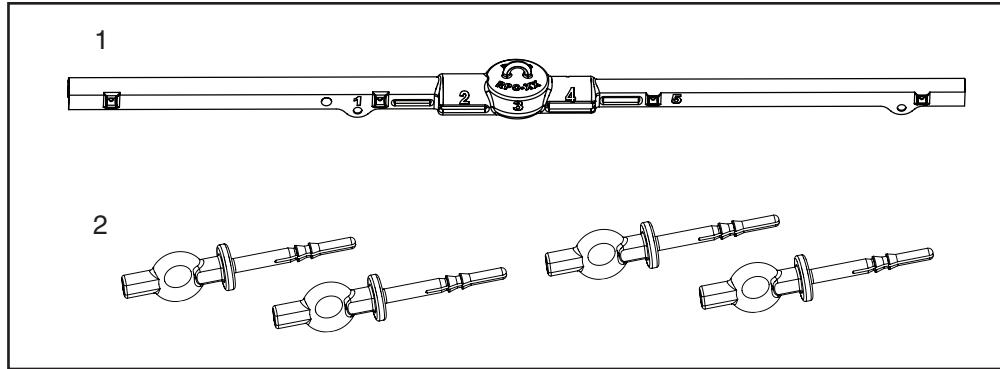




RAPTOR PROTECTOR™ for Single & Double Insulator Supports Patented

IMPORTANT:

The RAPTOR PROTECTOR is intended to permanently cover-up energized conductors at support points solely for the purpose of preventing accidental contact between the conductors and birds. IT IS NOT A COMPLETELY INSULATED COVERING AND SHOULD NOT BE USED TO PROTECT HUMANS FROM ELECTRICAL SHOCK. Be sure to read and completely understand this procedure before applying product. Be sure to select the proper PREFORMED product before application.



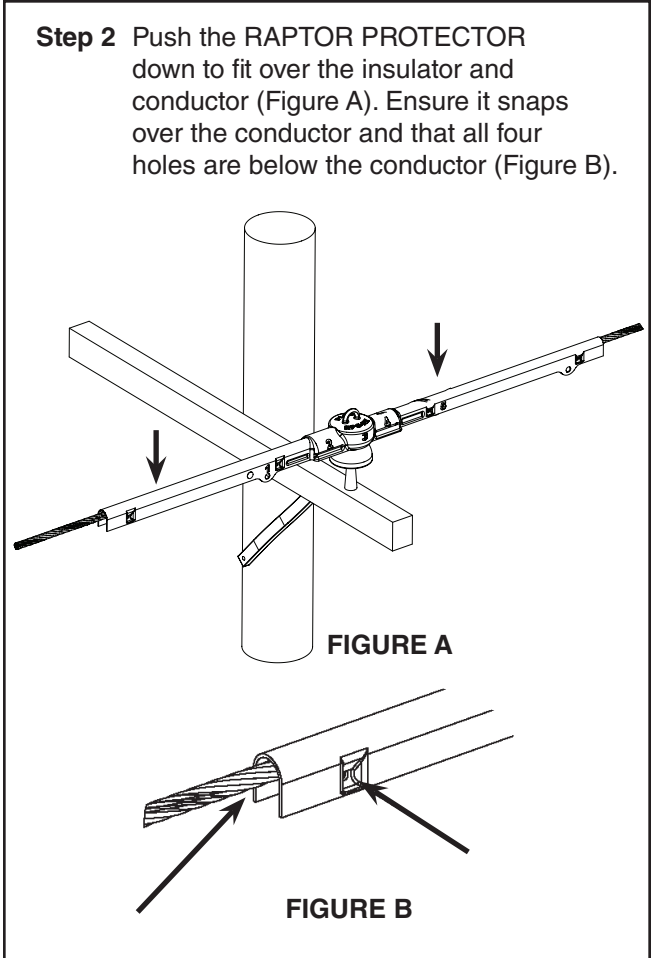
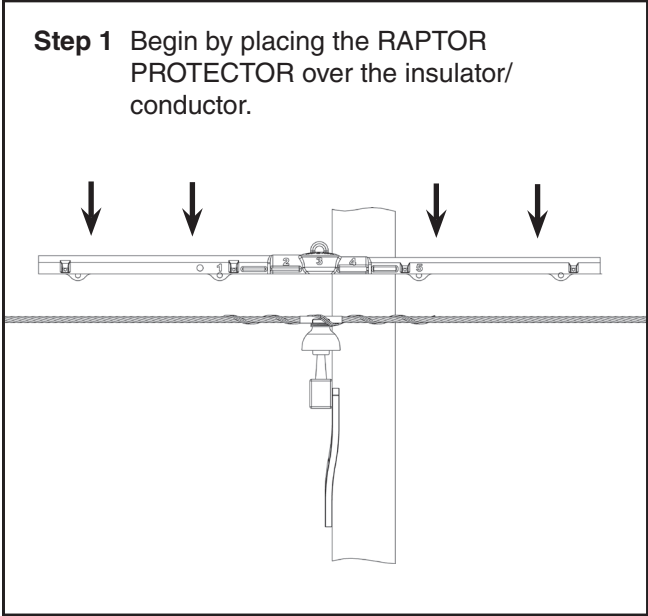
NOMENCLATURE

1. RAPTOR PROTECTOR (Black) (1)

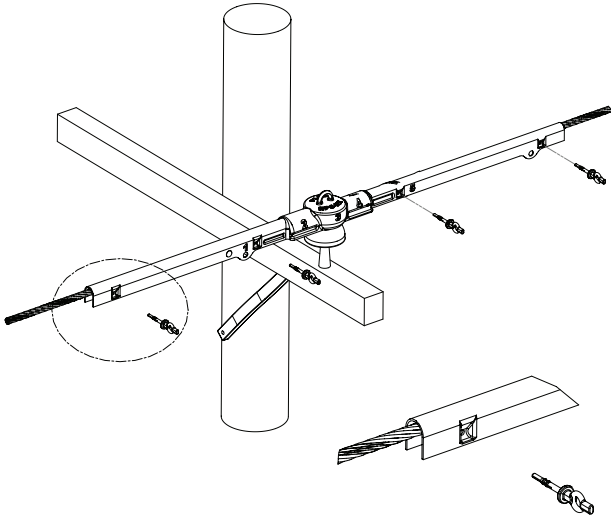
2. Round Eye Lock Pin (RPP-0840, set of 4)

The RAPTOR PROTECTOR is designed for use on single and double insulator supports.

Installing the RAPTOR PROTECTOR for SINGLE INSULATOR SUPPORTS.



Step 3 Insert the Round Eye Lock Pins into all four holes. Ensure pins are inserted through both sides of the raptor cover.

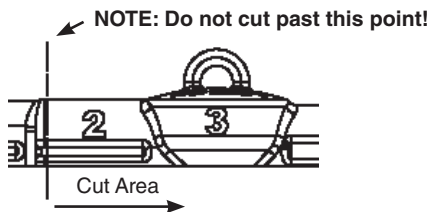
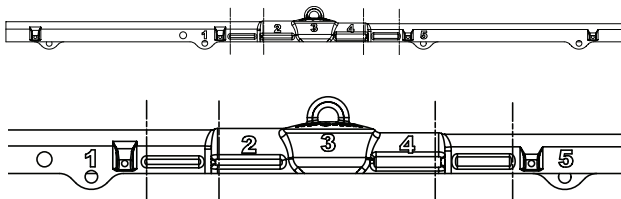


Installing the RAPTOR PROTECTOR™ for DOUBLE INSULATOR SUPPORTS.

Step 4 Determine center-to-center distance between insulators. Based on your measurement, choose one of the following options:

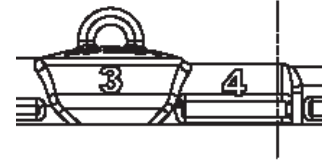
OPTION 1
INSULATOR distances of 10" - 13".

Cut the number 2 section of the first RAPTOR PROTECTOR as shown below.



OPTION 1 (con't)

Next, using a second RAPTOR PROTECTOR, cut the number 4 section at the highest point of the raised transition.

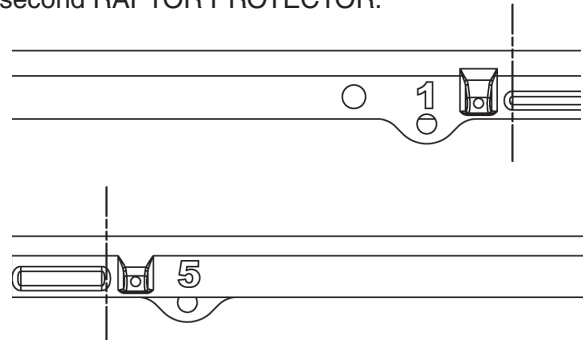


Go to Step 5.

OPTION 2

INSULATOR distances of 16.5" - 21.5".

Cut the number 1 section of the first RAPTOR PROTECTOR and the number 5 section of the second RAPTOR PROTECTOR.



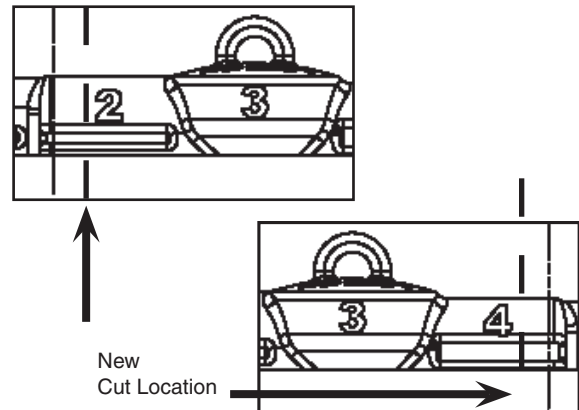
Go to Step 5.

OPTION 3

INSULATOR distances less than 10".

Remove the amount that is less than 10" from number 2 section and number 4 section as illustrated below.

For example, for a center-to-center distance of 9", subtract 9 from 10 and cut off an extra 1" from numbers 2 & 4.



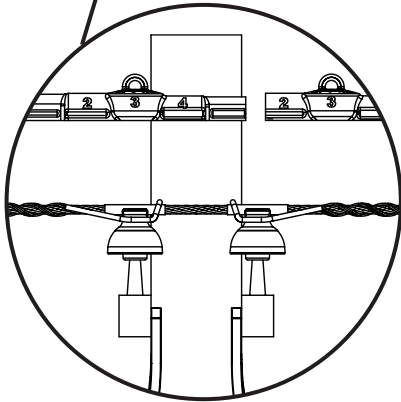
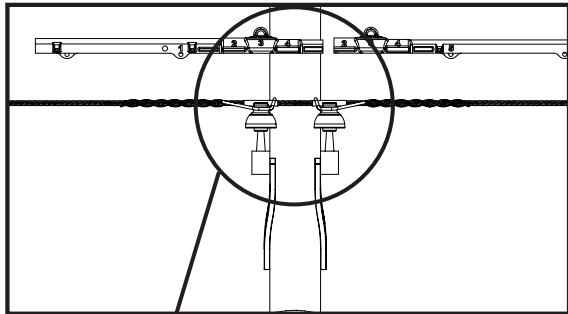
Go to Step 5.

OPTION 4

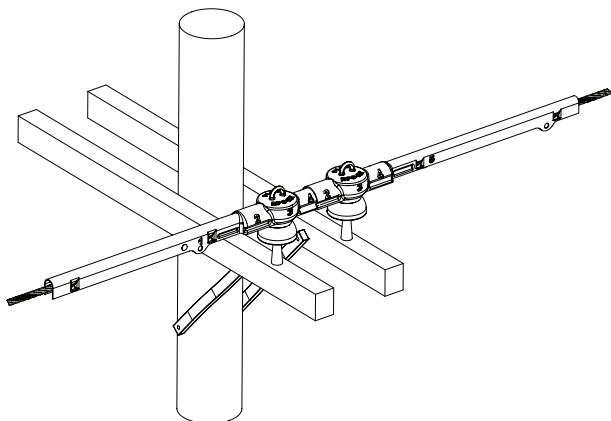
INSULATOR distances of 13" - 16.5".

Cut the number 2 section in the first location of the RAPTOR PROTECTOR and the number 5 section location in the second.

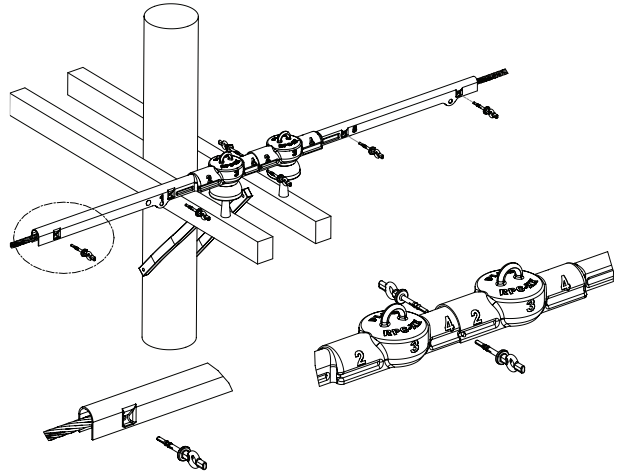
After the two RAPTOR PROTECTORS are cut, install over the double insulators, as shown below.



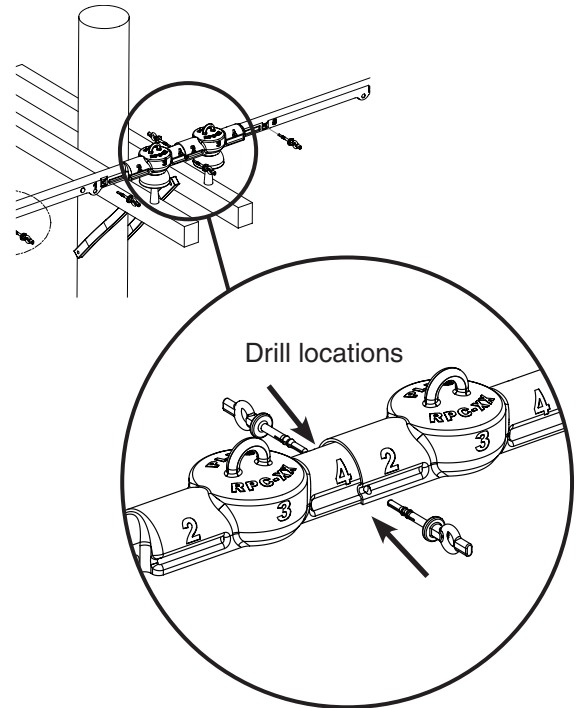
Step 5 Snap both RAPTOR PROTECTORS over the conductor. Ensure there is an appropriate overlap of the legs.



Step 6 Install Round Eye Lock Pins in all four holes in both RAPTOR PROTECTORS for completed installation. Ensure pins are inserted through both sides of the raptor cover.

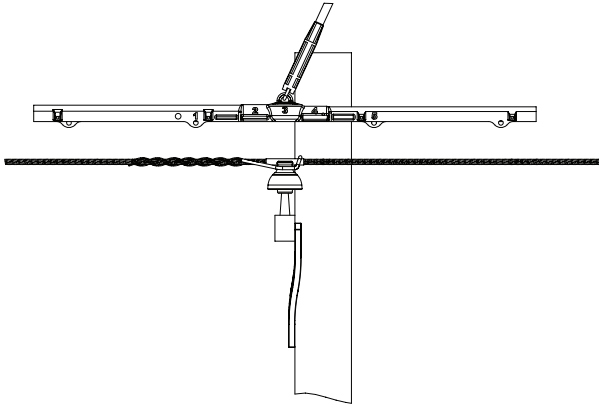


Step 7 Drill a 3/8" hole through the overlap area on each side, (i.e. number 2 and number 4), of both RAPTOR PROTECTORS and add a round eye lock pin or UV stabilized cable tie.

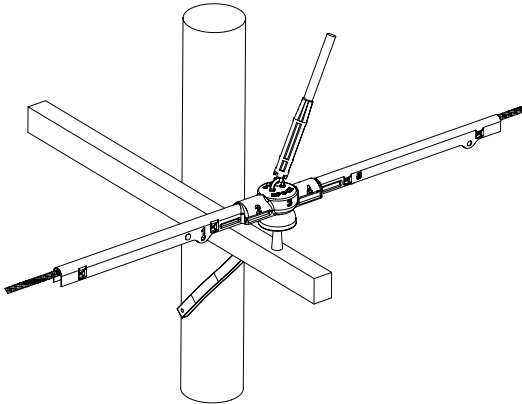


Installing the RAPTOR COVER using the HOT STICK.

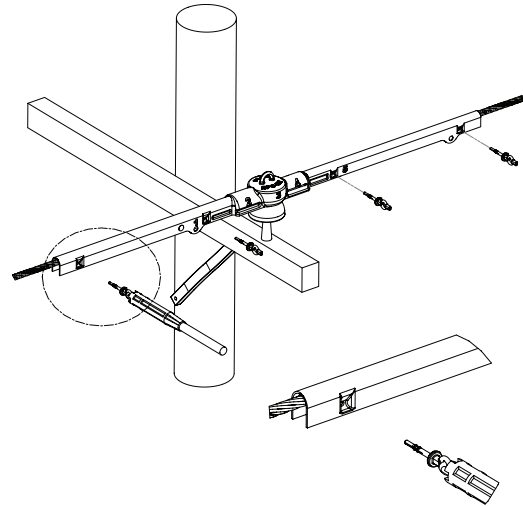
Step 8 Attach the hot stick to the installation eye on top of the RAPTOR PROTECTOR.



Step 9 Apply pressure to the top of the RAPTOR PROTECTOR using the hot stick and completely snap it over the conductor. Another stick can be used to snap the legs into place.



Step 10 Install Round Eye Lock Pins using the hot stick.



SAFETY CONSIDERATIONS

This application procedure is not intended to supersede any company construction or safety standards. This procedure is offered only to illustrate safe application for the individual. **FAILURE TO FOLLOW THESE PROCEDURES MAY RESULT IN PERSONAL INJURY OR DEATH.**

This product may be removed and reinstalled if it is in good condition. After extended service life, it is recommended the product not be reused once removed from service.

Do not modify this product under any circumstances, unless specifically stated in this procedure.

This product is intended for use by trained technicians only. **This product should not be used by anyone who is not familiar with, and not trained to use it.**

When working in the area of energized lines, extra care should be taken to prevent accidental electrical contact.

For proper performance and personal safety, be sure to select the proper size PREFORMED™ product before application.

PREFORMED products are precision devices. To insure proper performance, they should be stored in cartons under cover and handled carefully.



PREFORMED LINE PRODUCTS

P.O. Box 91129, Cleveland, Ohio 44101 • 440.461.5200 • www.preformed.com • e-mail: inquiries@preformed.com

SP3065-3