



COYOTE® Splice Case

Value conscious and benefit-packed: The COYOTE Splice

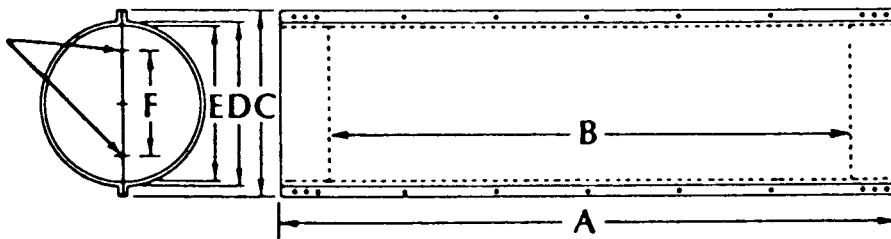
The COYOTE Splice Case combines the field-proven performance of the PREFORMED™ Splice Case (stainless steel) with the high capacity and craft-friendly COYOTE Fiber Management System to create a feature-packed splice case for demanding applications.

COYOTE
FIBER OPTICS



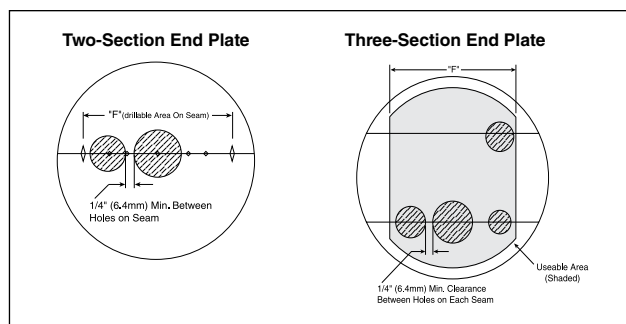
The COYOTE Splice Case family is designed for all applications (aerial, underground, buried and vault) and for all fiber optic types (loose tube, unitube, ADSS and OPGW). With sizes ranging from 4" x 25" (102 x 635 mm) to 12.5" x 38" (318 x 965 mm) and splicing capacities ranging from 24 fibers to 1728 fibers, nearly any splicing network configuration can be accommodated.

Marks on End Plates denote useable area of cable entrance holes.



Dimensions (mm)						
Splice Case	A	B	C	D	E	F
4.0" x 25"	25.8" (655)	20.3" (516)	6.0" (152)	4.5" (114)	4.0" (102)	2.2" (56)
6.5" x 22"	22.0" (558)	16.2" (412)	9.25" (235)	7.0" (178)	6.5" (165)	4.1" (104)
6.5" x 28"	28.4" (721)	22.7" (577)	9.25" (235)	7.0" (178)	6.5" (165)	4.1" (104)
6.5" x 38"	38.4" (975)	32.7" (831)	9.25" (235)	7.0" (178)	6.5" (165)	4.1" (104)
8.0" x 28"	28.4" (721)	22.7" (567)	10.5" (267)	8.5" (216)	8.0" (203)	5.6" (142)
8.0" x 38"	38.4" (975)	32.7" (831)	10.5" (267)	8.5" (216)	8.0" (203)	5.6" (142)
9.5" x 28"	28.4" (721)	21.6" (549)	12.5" (318)	10.0" (254)	9.5" (241)	7.1" (180)
9.5" x 38"	38.4" (975)	31.6" (813)	12.5" (318)	10.0" (254)	9.5" (241)	7.1" (180)
9.5" x 45"	45.2" (1148)	38.6" (980)	12.5" (316)	10.0" (254)	9.5" (241)	7.1" (180)
12.5" x 28"	28.4" (721)	21.6" (549)	15.5" (394)	13.0" (330)	12.5" (318)	9.3" (236)
12.5" x 38"	38.4" (975)	31.6" (803)	15.5" (394)	13.0" (330)	12.5" (318)	9.3" (236)

*Spacing of 1/4" required between holes drilled along the seams of two and three section end plate in the "usable area."



COYOTE® Splice Case

COYOTE Splice Case Ordering Chart	
Catalog Number	Description (mm)
8006548	4"x 25" (102 x 635), for unitube applications, includes two (2) Two-Section End Plates, and one (1) Mainframe.
8006549	4"x 25" (102 x 635), DLX, for unitube applications, includes one (1) Two-Section End Plate with three grounding inserts, one (1) Two-Section End Plate, one (1) Mainframe, one (1) Transport Tube Kit, and three (3) "L" Brackets.
8006550	6.5"x 22" (165 x 559), for unitube applications, butt splice only, includes one (1) Two-Section End Plate, one (1) Three-Section End Plate, one (1) Transition Assembly, and one (1) Transport Tube Kit.
8006551	6.5"x 22" (165 x 559), DLX, for unitube applications, butt splice only, includes one (1) Two-Section End Plate, one (1) Three-Section End Plate with six grounding inserts, one (1) Transition Assembly, one (1) Transport Tube Kit, and four (4) "L" Brackets.
8006615	6.5"x 22" (165 x 559), for buffer tube applications, butt splice only, includes one (1) Two-Section End Plate, one (1) Three-Section End Plate, and one (1) Storage Assembly.
8006616	6.5"x 22" (165 x 559) DLX, for buffer tube applications, butt splice only, includes one (1) Two-Section End Plate, one (1) Three-Section End Plate with six grounding inserts, one (1) Storage Assembly, and four (4) "L" Brackets.
8006552	6.5"x 28" (165 x 711), for unitube applications, includes one (1) Two-Section End Plate, one (1) Three-Section End Plate, one (1) Transition Assembly, and one (1) Transport Tube Kit.
8006553	6.5"x 28" (165 x 711) DLX, for unitube applications, includes one (1) Two-Section End Plate, one (1) Three-Section End Plate with six grounding inserts, one (1) Transition Assembly, one (1) Transport Tube Kit, and four (4) "L" Brackets.
8006617	6.5"x 28" (165 x 711), for buffer tube applications, includes one (1) Two-Section End Plate, one (1) Three-Section End Plate, and one (1) Storage Assembly.
8006618	6.5"x 28" (165 x 711) DLX, for buffer tube applications, includes one (1) Two-Section End Plate, one (1) Three-Section End Plate with six grounding inserts, one (1) Storage Assembly, and four (4) "L" Brackets.
8006656	6.5"x 28" (165 x 711) DLX - Express version, for buffer tube applications, includes one (1) Two-Section End Plate, one (1) Three-Section End Plate with six grounding inserts, one (1) Storage Assembly, and four (4) "L" Brackets.
8006625	8"x 28" (203 x 711) DLX, for unitube applications, includes one (1) Two-Section End Plate, one (1) Three-Section End Plate with six grounding inserts, one (1) Transition Assembly, one (1) Transport Tube Kit, and four (4) "L" Brackets.
8006626	8"x 28" (203 x 711) DLX, for buffer tube applications, includes one (1) Two-Section End Plate, one (1) Three-Section End Plate with six grounding inserts, one (1) Storage Assembly, and four (4) "L" Brackets.
8006657	9.5"x 28" (241 x 711) DLX, for unitube applications, includes one (1) Two-Section End Plate, one (1) Three-Section End Plate with six grounding inserts, one (1) Transition Assembly, and one (1) Transport Tube Kit, and four (4) "L" Brackets.
8006627	9.5"x 28" (241 x 711) DLX, for buffer tube applications, includes one (1) Two-Section End Plate, one (1) Three-Section End Plate with six grounding inserts, one (1) Storage Assembly, and four (4) "L" Brackets.
8006755	9.5"x 38" (241 x 975) DLX, for unitube/buffer tube applications, includes one (1) Two-Section End Plate, one (1) Three-Section End Plate with six grounding inserts, one (1) Transition/Buffer Storage Assembly, and four (4) "L" Brackets.
8006628	9.5"x 45" (241 x 1143) DLX, for buffer tube applications, includes one (1) Two-Section End Plate, one (1) Three-Section End Plate with six grounding inserts, one (1) Dual Buffer Tube Storage Assembly, and four (4) "L" Brackets.
8006753	12.5"x 28" (318 x 711) DLX for buffer tube applications, includes one (1) assembled Three-Section End Plate, one (1) Three-Section End Plate with eight grounding inserts, one (1) Dual Tube Storage Assembly, and six (6) "L" Brackets.
8006752	12.5"x 28" (318 x 711) DLX for unitube applications, includes one (1) assembled Three-Section End Plate, one (1) Three-Section End Plate with eight grounding inserts, one (1) Dual Transition Assembly, one (1) Transport Tube Kit and six (6) "L" Brackets.
8006702	12.5"x 38" (318 x 975) DLX, for buffer tube applications, includes one (1) assembled Three-Section End Plate, one (1) Three-Section End Plate with eight grounding inserts, one (1) Dual Tube Storage Assembly, and six (6) "L" Brackets.
8006703	12.5"x 38" (318 x 975) DLX, for unitube applications, includes one (1) assembled Three-Section End Plate, one (1) Three-Section End Plate with eight grounding inserts, one (1) Dual Transition Assembly, one (1) Transport Tube Kit and six (6) "L" Brackets.



COYOTE® Splice Case Capacities

Splice Tray Catalog Number	Description	Useable Connectors	Type	Splice Capacity Per Tray	Max. No. of Trays Per Closure	Max. Closure Splice Capacity
4" x 25" (102 x 635 mm) COYOTE Splice Case						
8001021	12 Count Single Fiber	Protected Fusion Single Mechanical	S	12	2	24
8001044	18 Count Single Fiber	Protected Fusion Single Mechanical	S	18	2	36
8001041	12 Count Mechanical	3M Fibelok Siecor Lightbridge	S	12	2	24
8001098	12 Count Mechanical	3M Fibelok Siecor Lightbridge	A	12	2	24
8001085	Mass Fusion	Protected Mass Fusion	S	36	2	72
6.5" x 22" (165 x 559 mm) and 6.5" x 28" (165 x 711 mm) COYOTE Splice Case						
80805514	36 Count Elastomer Blocks	Protected Fusion Single Mechanical		36	5	180
8001127	36 Count	Single Fusion		36	6	216
80805146	Ribbon Fiber Splice Tray	Protected Mass Single Mechanical		144	2	288
8" x 28" (203 x 711 mm) COYOTE Splice Case						
80805514	36 Count Elastomer Blocks	Protected Fusion Single Mechanical		36	6	216
8001127	36 Count	Single Fusion		36	8	288
80805146	Ribbon Fiber Splice Tray	Protected Mass Fusion		144	4	576
9.5" x 28" (241 x 711 mm) COYOTE Splice Case						
80805514	36 Count Elastomer Blocks	Protected Fusion Single Mechanical		36	10	360
8001127	36 Count	Single Fusion		36	13	468
80805146	Ribbon Fiber Splice Tray	Protected Mass Fusion		144	6	864
9.5" x 38" (241 mm x 1 m) COYOTE Splice Case						
80805514	36 Count Elastomer Blocks	Protected Fusion Single Mechanical		36	20	720
8001127	36 Count	Single Fusion		36	26	936
80805146	Ribbon Fiber Splice Tray	Protected Mass Fusion		144	9	1296
9.5" x 45" (241 mm x 1.1 m) COYOTE Splice Case						
80805514	36 Count Elastomer Blocks	Protected Fusion Single Mechanical		36	18	648
8001127	36 Count	Single Fusion		36	24	864
12.5" x 28" (318 mm x 711 mm) COYOTE Splice Case						
80805514	36 Count Elastomer Blocks	Protected Fusion Single Mechanical		36	16	576
8001127	36 Count	Single Fusion		36	21	756
80805146	Ribbon Fiber Splice Tray	Protected Mass Fusion		144	10	1440
12.5" x 38" (318 mm x 1 m) COYOTE Splice Case						
80805514	36 Count Elastomer Blocks	Protected Fusion Single Mechanical		36	24	864
8001127	36 Count	Single Fusion		36	32	1152
80805146	Ribbon Fiber Splice Tray	Protected Mass Fusion		144	12	1728

(A) signifies an ADOBE™ Splice Tray

(S) signifies a standard thermal-formed splice tray

(M) signifies a metallic splice tray

NOTE: Maximum number of trays per closure and closure capacity for 6.5" x 28" DLX Express version (Cat. No. 8006656) are reduced by 50 percent.

COYOTE® Splice Case Accessories

End Plates (one per kit)	
Catalog Number	Description (mm)
8003277	4.0" (102) Standard Two-Section End Plate Kit
80804985	4.0" (102) DLX Two-Section End Plate Kit with three (3) Grounding Inserts and three (3) "L" Brackets.
8003274	4.0" (102) DLX Two-Section End Plate Kit with one (1) 1/2" (13) factory-installed Cable Ports [0.56 (14 mm) max. cable], three (3) Grounding Inserts, and three (3) "L" Brackets.
8003275	4.0" (102) DLX Two-Section End Plate Kit with two (2) 1/2" (13) factory-installed Cable Ports [0.56 (14 mm) max. cable], two (2) Grounding Inserts, and two (2) "L" Brackets. (No space for field-drilled cable entries.)
8003252	6.5" (165) Standard Two-Section End Plate Kit
8000361	6.5" (165) Standard Three-Section End Plate Kit
80804986	6.5" (165) DLX Three-Section End Plate Kit with six (6) Grounding Inserts and four (4) L-Brackets.
8003282	8.0" (203) Standard Two-Section End Plate Kit
8003396	8.0" (203) DLX Three-Section End Plate Kit with six (6) Grounding Inserts and four (4) L-Brackets.
8003283	9.5" (241) Standard Two-Section End Plate Kit
8003397	9.5" (241) DLX Three-Section End Plate Kit with six (6) Grounding Inserts and four (4) L-Brackets.
8003537	12.5" (318) DLX Three-Section End Plate Kit with eight (8) Grounding Inserts and six (6) L-Brackets.

Future Cable Port Kits

Future Cable Port COYOTE Splice Cases (all sizes)	
Catalog Number	Description (mm)
8003412	3/4"(19) Future Cable Port Kit, Includes: Future Cable Port, Plug and Clamp. For installation of Future Cable Port during initial assembly of end plate. Max. Cable is 0.8"(20) diameter.
8003413	1"(25) Future Cable Port Kit, includes: Future Cable Port, Plug and Clamp. For installation of Future Cable Port during initial assembly of end plate. Max. Cable is 1.0"(25) diameter.
8003420	Future Cable Port Installation Kit, Includes: LOCK-TAPE™ Sealant, Bead Sealant, L-Bracket and Bolt. Required for preparation of Future Cable.
8003421	3/4"(19) Future Cable Port/Cable Installation Kit. Complete Kit includes: Catalog #800412 and Catalog # 8003420
8003422	1"(25) Future Cable Port/Cable Installation Kit. Complete Kit Includes: Catalog #8003413 and Catalog # 8003420



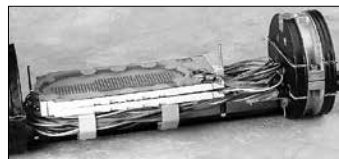
Future Cable Ports allow the addition of branch cables



Unitube and Buffer Tube Storage Compartments	
Catalog Number	Description (mm)
80805150	Transition Assembly for 4.0" (102) x 25" (635) COYOTE Splice Case
80805690	Transition Compartment Kit for 6.5" (165) x 22" (559) COYOTE Splice Case
80805691	Loose Buffer Tube Storage Assembly for 6.5" (165) x 22" (559) COYOTE Splice Case
80805571	Transition Compartment Kit for 6.5" (165) x 28" (635) COYOTE Splice Case
80805574	Loose Buffer Tube Storage Assembly for 6.5" (165) x 28" (635) COYOTE Splice Case
80805913	Loose Buffer Tube (Express) Storage Assembly for 6.5" (165) x 28" (635) COYOTE Splice Case.
80805812	Transition Compartment Kit for 8.0" (203) x 28" (635) COYOTE Splice Case
80805814	Loose Buffer Tube Storage Assembly for 8.0" (203) x 28" (635) COYOTE Splice Case
80805815	Loose Buffer Tube Storage Assembly for 9.5" (241) x 28" (635) COYOTE Splice Case
80805915	Transition Compartment Kit for 9.5" (241) x 28" (635) COYOTE Splice Case
80805801	Dual Loose Buffer Tube Storage Assembly for 9.5" (241) x 45" (1.1) COYOTE Splice Case
80806629	Loose Buffer Tube Storage Assembly for 12.5" (318) x 28" (635) COYOTE Splice Case
80806704	Transition Compartment Kit for 12.5" (318) x 28" (635) COYOTE Splice Case



Transition Compartment and Splice Tray for a 4" x 25" (102 x 635 mm) COYOTE Splice Case



Buffer Tube Management System for a 6.5" x 22" (165 x 559 mm) COYOTE Splice Case

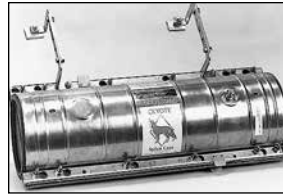
End Plate Grommet Kits for Drillable End Plates

COYOTE End Plate Grommet Kits – 9.5" (241) and 12.5" (318) Only				
Catalog Number	Hole Pattern	Entries	Accepted Cable Diameter Range Inches (mm)	Blade Size
8003622 (Blue)		4	.20 - .27 (5 - 7)	H
8003623 (Red)		4	.27 - .31 (7 - 8)	H
8003586 (Green)		4	.31 - .38 (8 - 10)	J
8003588 (Green)		6	.31 - .38 (8 - 10)	K
8003583 (Orange)		2	.38 - .43 (10 - 11)	G
8003584 (Orange)		4	.38 - .43 (10 - 11)	J
8003573 (Orange)		5	.38 - .43 (10 - 11)	K
8003585 (Light Blue)		4	.43 - .48 (11 - 12)	J
8003660 (Light Blue)		4	Corning SST	G



COYOTE® Splice Case Accessories

Mounting Bracket/Supports	
Catalog Number	Description
8003426	Adjustable Aerial Hanger Bracket Kit
8003156	Aerial Strand Clamps (set of two)
8003527	Manhole Support Kit (both ends of Splice Case)
8003472	Vertical Mounting Bracket for 6.5", 8" and 9.5" Splice Cases

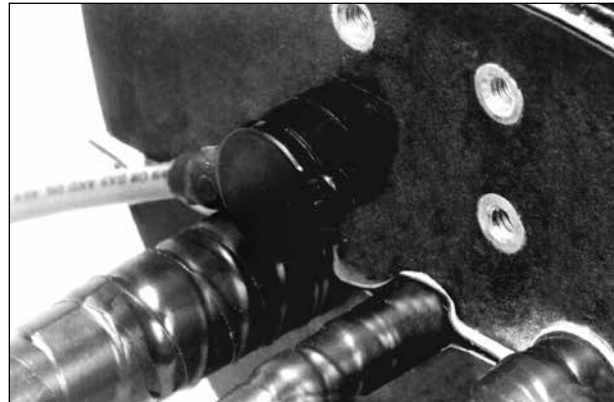


Adjustable Aerial Hanger Brackets



Manhole Support Kit

Installation Materials	
Catalog Number	Description (mm)
80805238	C-Cement, 1 oz. tube
80802377	C-Cement, 4 oz. can
80803448	Moisture Blocking Sealant, 3 oz. tube
8003490	Felt Strips (blue) 1-1/8" (29) x 9" (229), 6 strips
80802567	LOCK-TAPE™ Sealant, 3/4" W x 12' L (19 W x 3.7 L)
80801954R	LOCK-TAPE™ Sealant, 2-1/2" W x 12' L (64 W x 3.7 L)
80801955R	LOCK-TAPE™ Sealant, 3" W x 12' L (76 W x 3.7 L)
8003092	Fusion Splice Protectors, Non-heat Shrink 250/250 Micron, pack of 20
8003425	Mass Fusion Splice Protectors, pack of 12
8003509	60 mm Heat Shrink Splice Protectors, pack of 12



External Isolation Terminal

Bonding and Grounding Materials	
Catalog Number	Description (mm)
8003416	Isolated Strength Member Bracket Kit, two per kit.
8003463	External Isolation Terminal Kit, Includes: two (2) Isolation Terminals with 7" (178) long, #6 Cable Stub and Splice Sleeve.
8003464	External Isolation Terminal Kit, Includes: two (2) Isolation Terminals with 7" (178) long, #6 Cable Stub and Quick Disconnect.
8003465	Quick Disconnect Kit, two per kit
80803989	Fiber Optic Shield Connector, 3M #4460/D/FO, 1 each, RUS Listed
80806743	Fiber Optic Shield Connector [up to 0.5" (13) cables]
80806744	Fiber Optic Shield Connector [up to 0.5"-0.8" (13-20) cables]
80806745	Fiber Optic Shield Connector [up to 0.8"-1.6" (20-41) cables]
8003281	External Bond Clip Kit, two per kit
80806179	Bonding Braid, 0.5" x 7" (13 x 178) with eyelets spaced at 6" (152) apart

Misc. Accessories	
Catalog Number	Description (mm)
8003175	Strength Member Bracket Kit, four per kit
8003176	Transport Tube Kit (8 tubes, 34" [864] long)
8003280	Transition Tube Kit, used to transition fiber from the top seam of the End Plate to the transition compartment
8003411	Green Sealant Kit (required for OPGW applications)
80806439	Transport Tube Kit (0.25" [6] O.D. Tube, 34" [864] long), includes six tubes, used for 24-fiber ribbon applications
80805937	Air Valve for Stainless Steel Cases