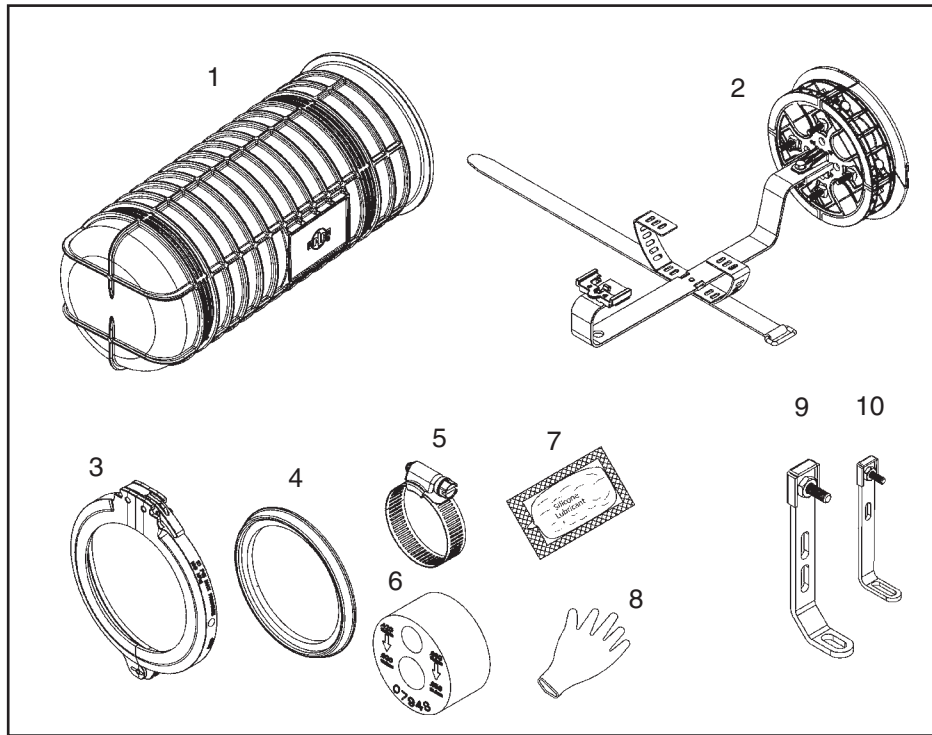




COYOTE® Dome Slide Closure with Flip Trays for 6-1/2" x 17" (165 x 432 mm)

Be sure to read and completely understand this procedure before applying product. Be sure to select the proper PREFORMED product before application.



NOMENCLATURE

- 1. Dome cover (1)
- 2. Organizer with 4-Port End Plate Assembly (Expanded Storage Version Shown)
- 3. Dome collar (1)
- 4. Dome gasket (1)
- 5. Hose clamp (4)






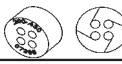


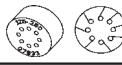

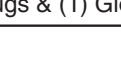
- 6. Cable grommet (2)
- 7. Silicone lubricant (4 five gram pkts)
- 8. Disposable glove (1)
- 9. Bracket Support (2)
- 10. Bracket Support Small (2)

TOOLS REQUIRED

- 3/8" & 7/16" Can wrench or socket
- 1/4" Nut driver or screwdriver
- Snips
- Fiber optic cable opening tools

COYOTE Dome Closure Kits	
Catalog Number	Description
8006944	COYOTE 6.5" x 17" (165 x 432 mm) Dome Closure for Buffer Tube Applications. Includes: (2) Grommets, (1) Buffer Tube Organizer Assembly with 4-Port End Plate Assembly, (1) Dome, (1) Collar Assembly, (1) Gasket, (1) Disposable Glove, (1) Silicone Lubricant Packet, (2) Hex Head Cap Screws, and (4) Hose Clamps
Accessory Kits	
80808456	COYOTE Dome End Plate Fixture
Mounting Brackets	
8003716	Aerial Mounting Bracket (End Plate Mount)
8003831	Aerial Mounting Bracket (Dome Mount)
8003833	Aerial Mounting Bracket for ADSS Applications (Dome Mount)
8003702	Pole/Wall Mounting Bracket
8003835	Universal Mounting Bracket Kit for Hand Hole Applications
8003707	Swing Arm for Hand Hole Applications

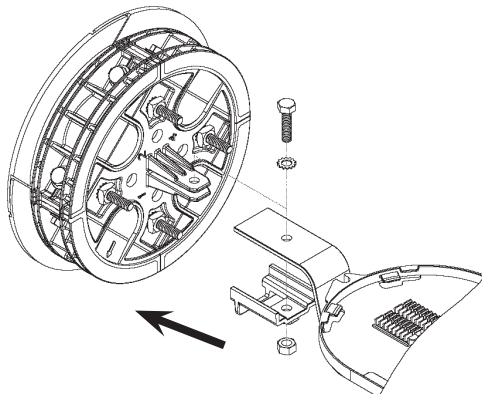
Splice Tray/Closure Capacities			
6.5" x 17" (165 x 432 mm)			
Catalog Number	Splice Tray	Trays per Closure	Closure Splice Capacity
FGT-24S	Single Fusion	6	144

COYOTE Grommet Chart			
For use in COYOTE Dome, In-Line RUNT, LCC, GLC, ONE, Taut & Terminal Closures			
PLP Catalog Number	Cable Range Inches (mm)	Description	Splitting Location
8003701	.42 - .60 (11 - 15 mm) & .60 - .85 (15 - 22 mm)	2-entry grommet	
8003691	.42 - .60 (11 - 15 mm)	1-entry grommet	
8003692	.60 - .85 (15 - 22 mm)	1-entry grommet	
8003693	.85 - 1.0 (22 - 25 mm)	1-entry grommet	
8003694	1.0 - 1.25 (25 - 32 mm)	1-entry grommet	
8003663	.42 - .60 (11 - 15 mm)	2-entry grommet	
8003664	.30 - .43 (8 - 11mm)	4-entry grommet	
8003665	.125 - .25 (3 - 6 mm) and Flat Drop	6-entry grommet	
8003676	.42 - .60 (11 - 15 mm) .125 - .25 (3 - 6 mm) and Flat Drop	7-entry grommet	
8003677	.125 - .25 (3 - 6 mm) and Flat Drop	8-entry grommet	
8003696	.320 - .190 (8 - 4.8 mm)	12-entry grommet	

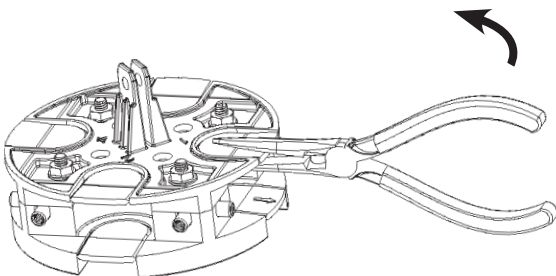
NOTE: Grommet Kit contains (1) Grommet, (1) Cable Measure Tape, (2) Silicone Lubricant Packs, (1) Set of Plugs & (1) Glove

End Plate Preparation

Step #1a Remove end plate from organizer assembly.



Step #1b Remove the end plate caps from the selected cable ports and break out the tabs.

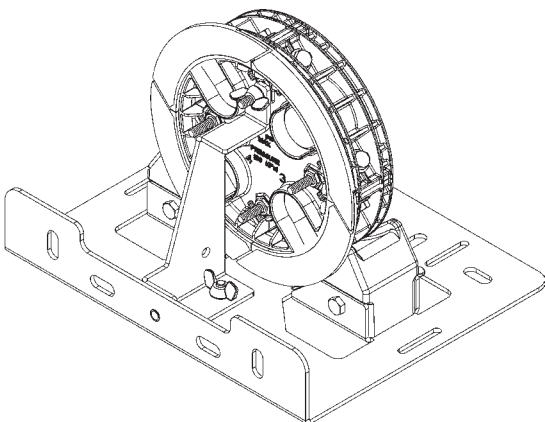


PLP Tip:

Scoring edges of tabs with knife makes them break out easier.

Step #2 **OPTIONAL STEP**

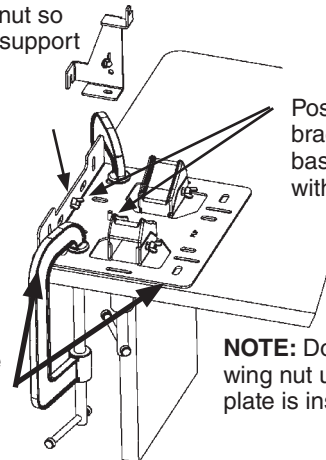
For better stability during cable installation and fiber splicing, install the end plate onto the COYOTE® Dome End Plate Fixture (see Steps 3a-b for installation details).



Step #3a **OPTIONAL STEP**

Install support bracket onto base.

Loosen wing nut so slotted tab of support bracket can slide behind wing nut.



Position support bracket onto base and secure with wing nuts.

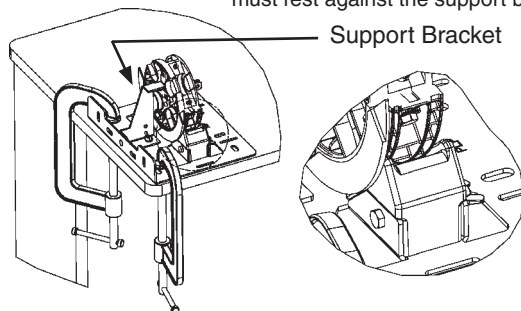
Base can be secured to work surface with either clamps or with bolts.

NOTE: Do not tighten wing nut until end plate is installed.

Step #3b **OPTIONAL STEP**

Seat the end plate onto the cushion wedges and secure support bracket to stud of end plate.

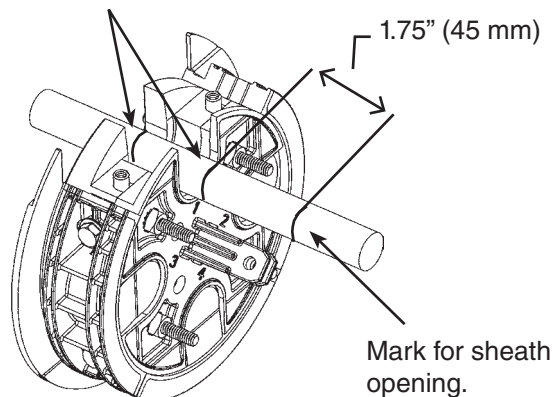
The outside surface of the end plate must rest against the support bracket



Hand tighten any loose wing nuts to secure end plate to fixture.

Step #4 Lay cable into entry point and mark for grommet and sheath opening locations.

Grommet location

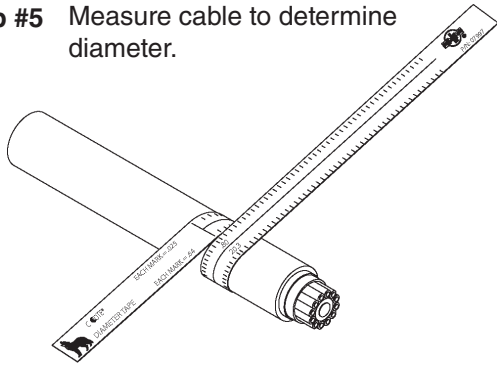


Mark for sheath opening.

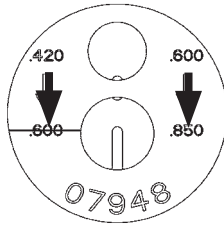
PLP Tip:

Hole in strength member bracket is a guide for sheath opening.

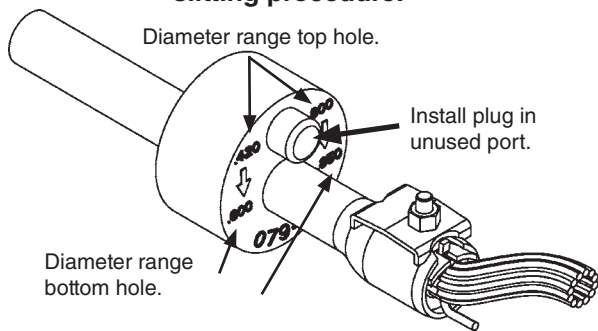
Step #5 Measure cable to determine diameter.



Step #6 The 2 hole wide range grommet is designed to support a cable installed in one hole and a plug installed in the unused hole. Installing cables in both holes is not recommended.

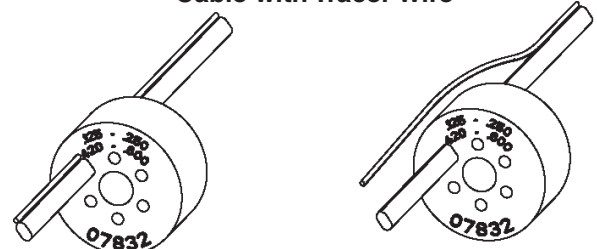


Step #6a If using cut cable, insert cable through grommet. If your application requires express/balloon/ring cut cables, see Step 7 for grommet slitting procedure.



Step #6b Installing Figure 8 Style Cables and Cables with Tracer Wires – Remove tracer wire or ground wire from the portion of the cable that will be positioned in the grommet and insert cable into grommet.

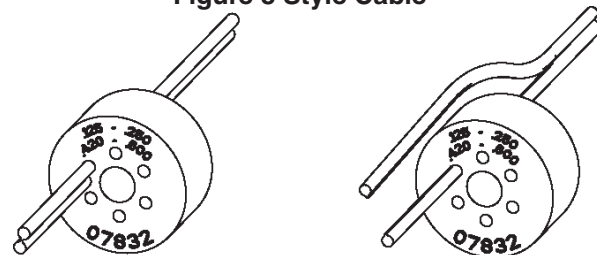
Cable with Tracer Wire



NOT CORRECT INSTALLATION

CORRECT INSTALLATION

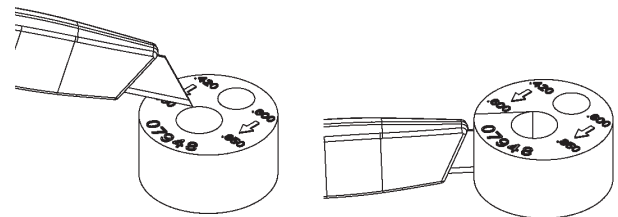
Figure 8 Style Cable



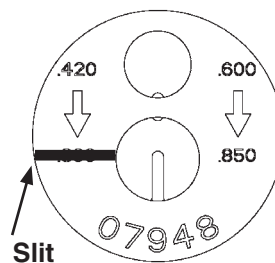
NOT CORRECT INSTALLATION

CORRECT INSTALLATION

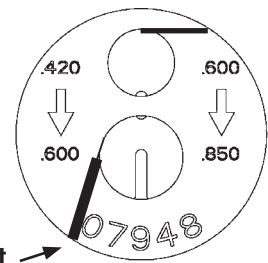
Step #7 Grommet Slitting – If slitting is required, lay grommet on a stable flat surface. Position utility knife with the cutting edge against the top surface and cut through grommet. Consult grommet chart on page 2 for slitting locations of all grommets.



PLP Tip: Use a pen to sketch slitting lines on top surface of grommet prior to cutting.

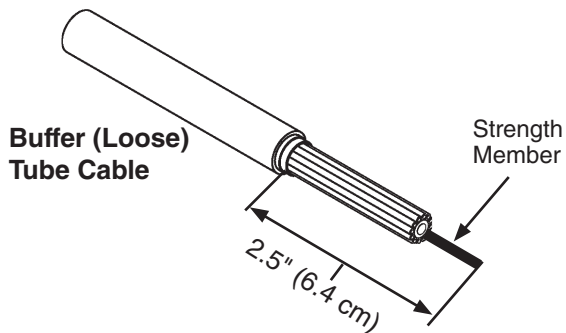


NOT CORRECT SLITTING ANGLE



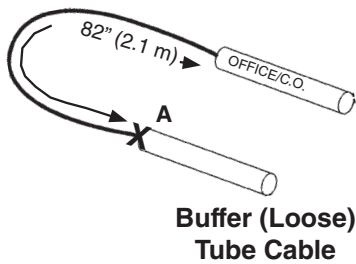
CORRECT SLITTING ANGLE

Step #8a Trim strength members to length.
Prepare cable(s) for cut applications.



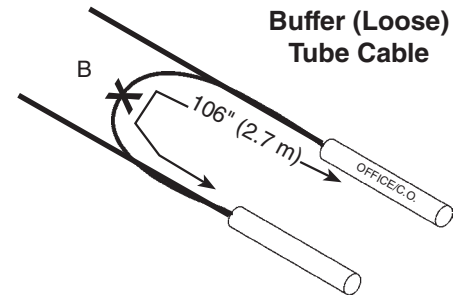
Minimum Sheath Opening for Cut Cable Applications	
82"	2.1 m

Step #8b Prepare cable for mid sheath applications (Express/Balloon/Ring Cut).



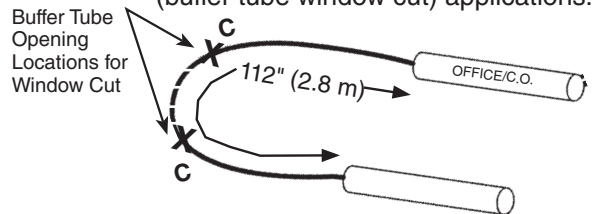
For Applications Where Fiber is Dedicated to the Splice Point	
Sheath Opening	82" (2.1 m)
Fiber/Buffer Tube Cut Location	A (see image above)

Step #8c Prepare cable for mid-sheath applications (Express/Balloon/Ring Cut).



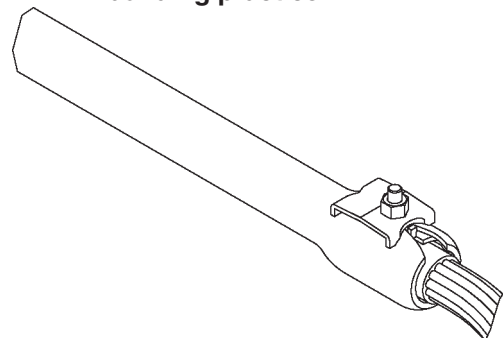
For Ribbon Applications Where Fiber is NOT Dedicated to the Splice Point	
Sheath Opening	154" (3.9 m)
Fiber/Buffer Tube Cut Location	B (see image above)

Step #8d Prepare cable for expressed fiber (buffer tube window cut) applications.



For Applications Where Fiber is Exposed through the Buffer Tube	
Sheath Opening	112" (2.8 m)
Buffer Tube Opening Location	C (see image above)

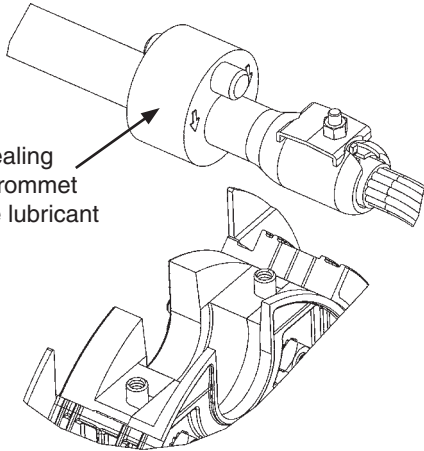
Step #9 If shielded cable is being used, install shield connector on shielded cables. **See Step #17 for recommended bonding practice.**



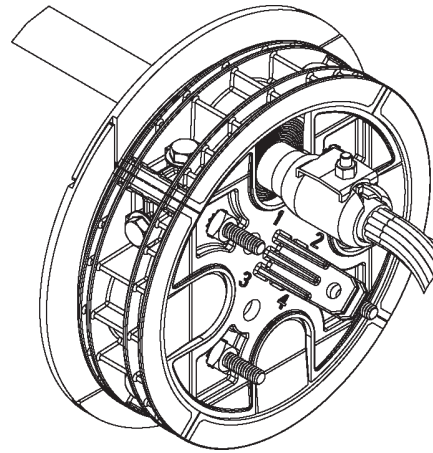
Follow standard company practices.

Step #10a Lubricate the outer surface of the grommet.

Lubricate sealing surface of grommet with silicone lubricant provided.



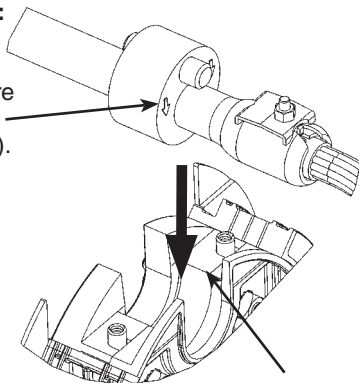
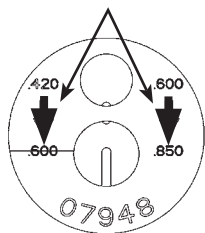
Step #12 Complete end plate assembly.



Step #10b Position grommet in end plate slot.

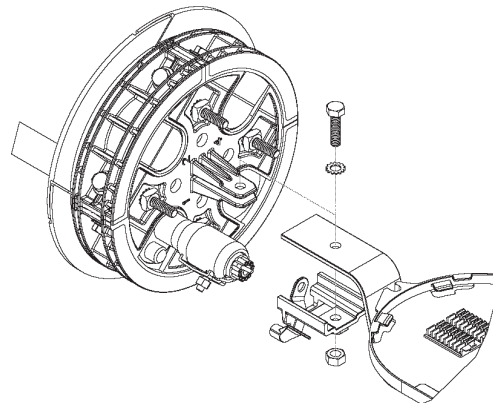
IMPORTANT NOTE:

For Wide Range 2-Hole Grommets, make sure arrows are pointing down when inserting grommet(s).



Do not align grommet slit with end plate seam.

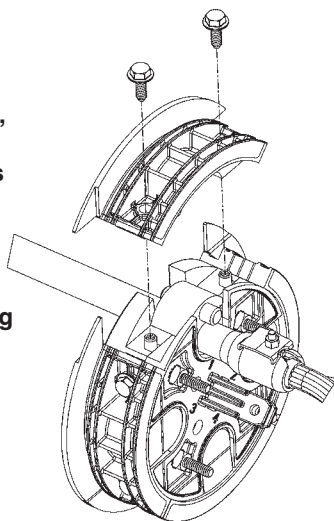
Step #13 Secure organizer assembly to end plate with 1/4" hex bolt and hex nut.



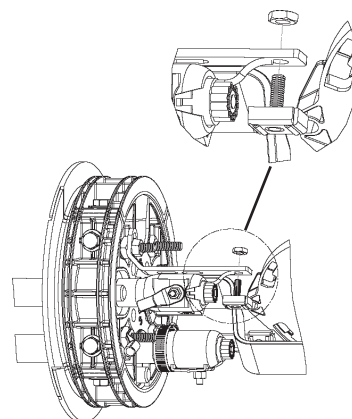
Step #11 Install cable cap and secure with hex bolts. Tighten bolts by hand evenly until cable cap is fully seated.

PLP Tip:
To start cable cap bolts, apply pressure with thumb and line up bolts with inserts. Engage 1 or 2 threads on one of the bolts. Repeat process on opposite bolt. Alternate tightening until fully seated.

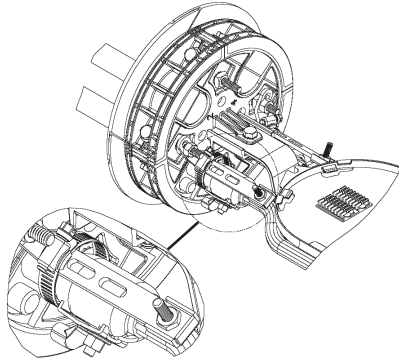
IMPORTANT NOTE:
TIGHTEN ALL UNUSED CABLE CAPS.



Step #14 Trim cable strength member(s) even with the edge of the cable restraint bracket. Secure strength member(s) under clip and tighten screw.

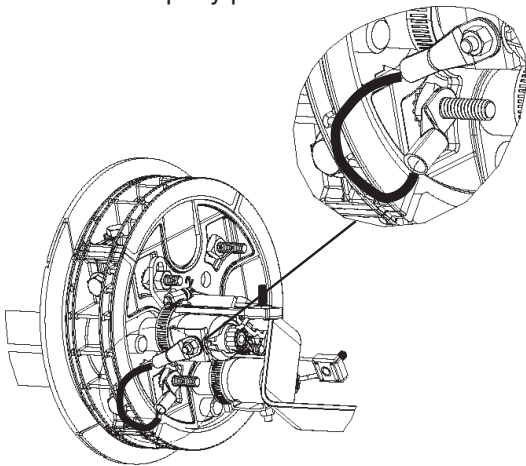


Step #15 Secure cable sheath with hose clamp.

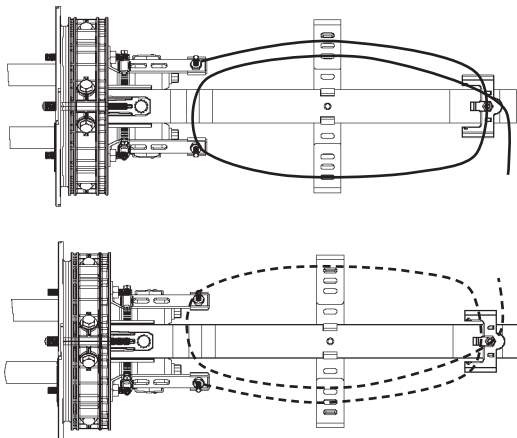


PLP Tip:
Avoid contact between hose clamp and shield connector to maintain isolation of each cable ground.

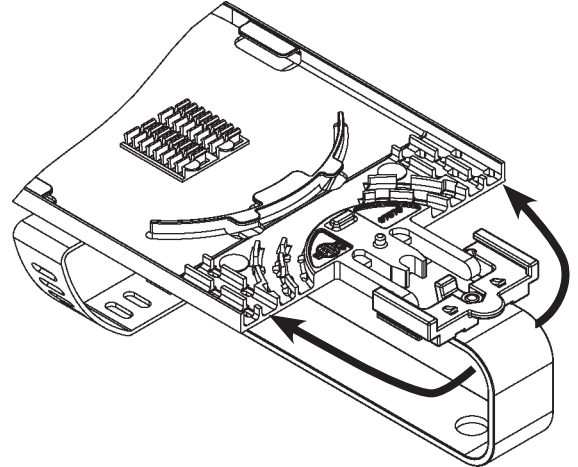
Step #16 Attach bonding device between the cable and ground stud in the end plate and ground per your accepted company practice.



Step #17 Route and store buffer tubes in storage brackets.

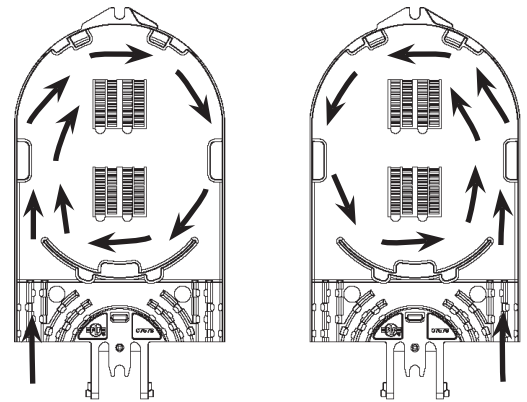


Step #18 Route buffer tubes or transport tubes to splice trays and secure.



NOTE: Wrap felt tape around buffer tubes in area where they will be tied down to splice tray.

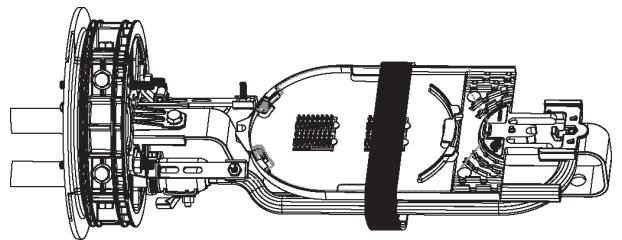
Step #19 Route incoming and outgoing fibers and splice per standard company practice.



INCOMING FIBER

OUTGOING FIBER

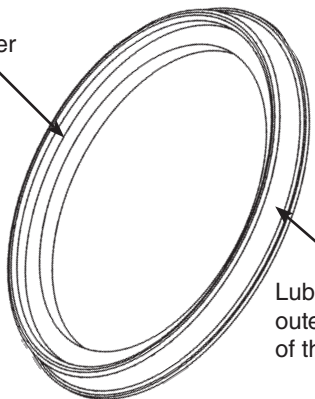
Step #20 Secure splice trays with hold down strap.



Dome Preparation and Installation

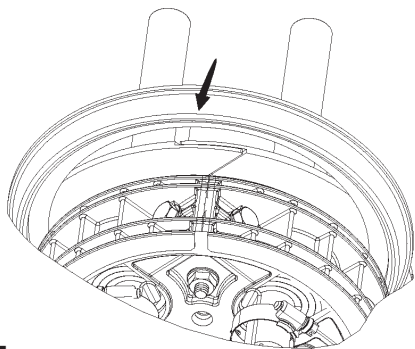
Step #21 Lubricate all surfaces around gasket with silicone lubricant to assure easy assembly and closure re-entry.

Lubricate all inner surfaces of the gasket.



Lubricate all outer surfaces of the gasket.

Step #22 Slide end plate gasket onto end plate and press into groove.

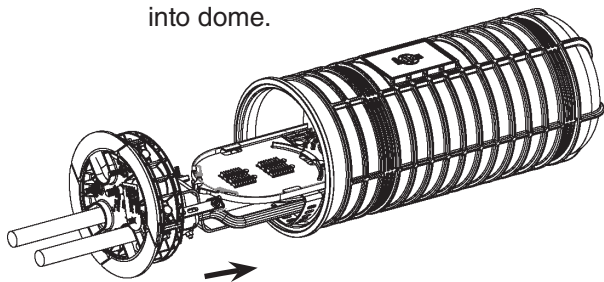


NOTE:

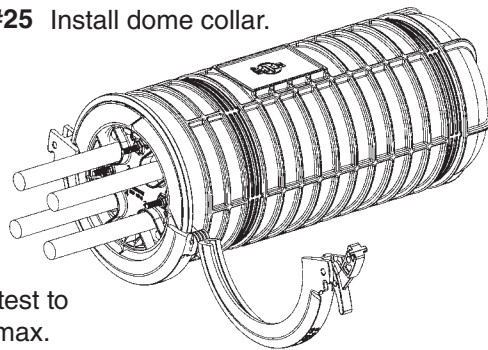
Make sure gasket is seated in groove of end plate.

Step #23 Re-tighten all cable cap bolts (Step #12) to assure that the cable caps are fully seated.

Step #24 Position dome over end plate and insert organizer assembly into dome.



Step #25 Install dome collar.

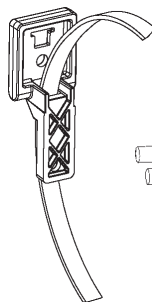


Flash test to 5 psi max.

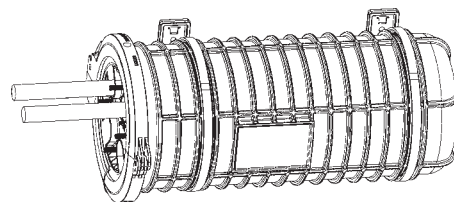
Dome Preparation and Installation

Step #26 **COYOTE® Universal Mounting Bracket for Hand Hole Applications.** The COYOTE Dome Closure can be installed in a hand hole using the COYOTE Universal Mounting Bracket (Cat. No. 8003835). Secure the Universal Mounting Bracket to the inner wall of the hand hole using 2 screws. Next, insert banding (plastic or metal) through the slots of the hanger brackets (#1) and position the brackets in the banding channels of the dome. Tighten the banding until the brackets are secure (#2). Lastly, slide the hanger brackets into the proper slots of the Universal Mounting Bracket and snap the hinged lid into place to secure the hanger brackets (#3).

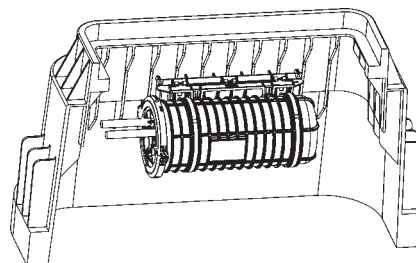
#1



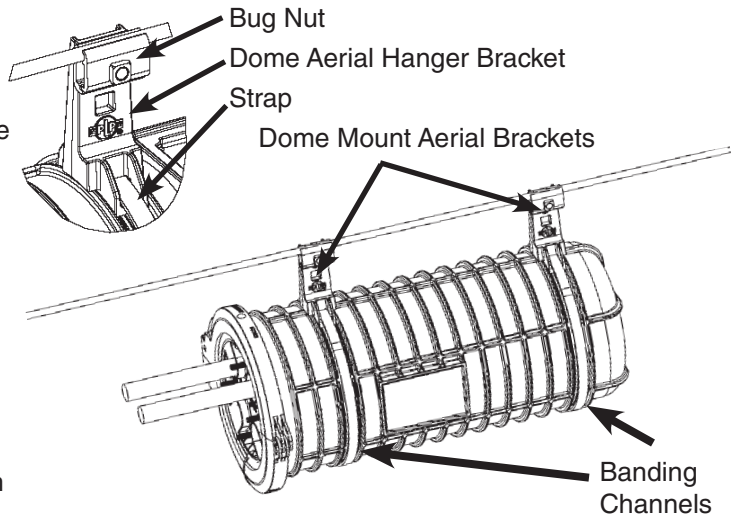
#2



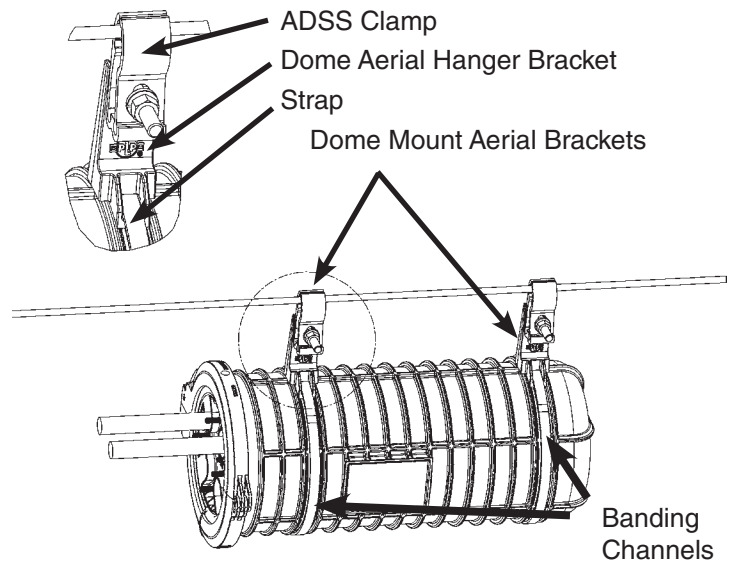
#3



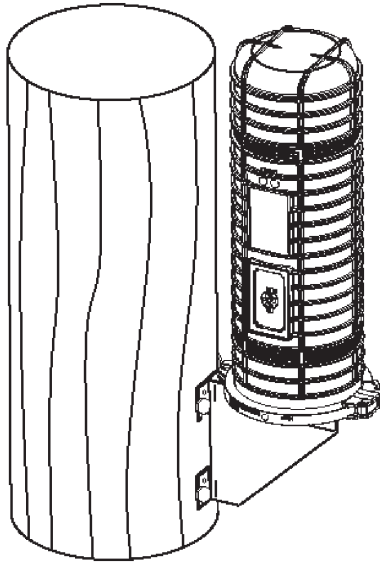
Step #27a Dome Aerial Mounting Bracket – Dome Mount – for 6.5" x 17" (165 x 432 mm) or 22" (558 mm) Dome Closures. The COYOTE® Dome Mount Aerial Bracket Kit (Cat. No. 8003831) can be used to suspend the COYOTE Dome Closure from the messenger wire. To install the dome mount aerial brackets, position the brackets in the banding channels of the dome and insert banding (plastic or metal) through the slots of the brackets. Tighten the banding until the brackets are secure before mounting the closure to the messenger wire with the bug nuts of the brackets.



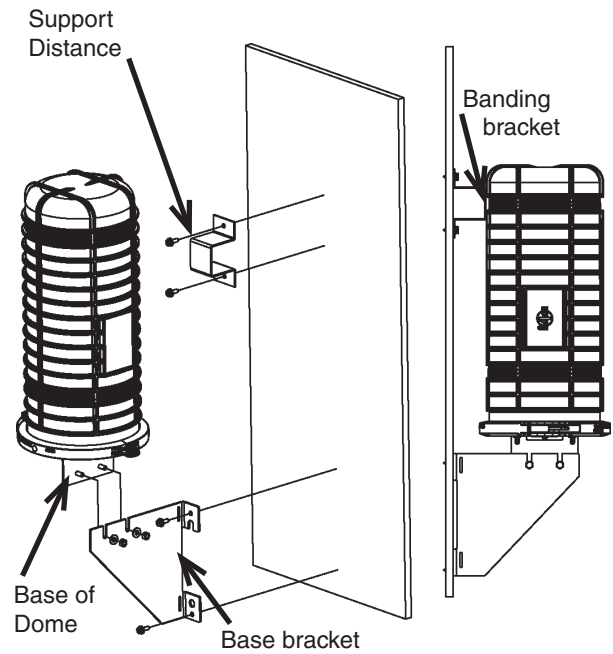
Step #27b 6.5"x 17" (165 x 432 mm) or 22" (558 mm) Dome Mount Aerial Bracket – Dome Mount – for ADSS. The COYOTE Dome Mount Aerial Bracket Kit for ADSS (Cat. No. 8003833) can be used to suspend the COYOTE 6.5" x 17" or 6.5" x 22" Dome Closure from ADSS cable. To install the dome mount aerial brackets, position the brackets in the banding channels of the dome and insert banding (plastic or metal) through the slots of the brackets. Tighten the banding until the brackets are secure before mounting the closure to the ADSS cable with the ADSS clamp.



Step #28a The COYOTE® Dome Pole/Wall Mount Bracket (Cat. No. 8003702) can be used to secure the COYOTE Dome Closure to wood, concrete, or steel poles. The COYOTE Dome Pole/Wall Mount can also be used in conjunction with the FIBERLIGN® Lattice Tower Clamp (Catalog No. 7000400) for lattice tower application. Secure the dome stud mount to the end plate studs of the dome and secure the dome stud mount to the dome pole mount. Attach the dome pole mount to the pole with either 5/8" through bolts or 1/4" lag screws.



Step#28b For an installation similar to the previous one using fire retardant closures, it comes with the same instructions adding a support to the distance of each closure between the wall or surface of the post.



SAFETY CONSIDERATIONS

This application procedure is not intended to supersede any company construction or safety standards. This procedure is offered only to illustrate safe application for the individual. **FAILURE TO FOLLOW THESE PROCEDURES MAY RESULT IN PERSONAL INJURY OR DEATH.**

Do not modify this product under any circumstances.

This product is intended for use by trained technicians only. **This product should not be used by anyone who is not familiar with, and not trained to use it.**

When working in the area of energized lines, extra care should be taken to prevent accidental electrical contact.

For proper performance and personal safety, be sure to select the proper size PREFORMED™ product before application.

PREFORMED products are precision devices. To insure proper performance, they should be stored in cartons under cover and handled carefully.



PREFORMED LINE PRODUCTS

P.O. Box 91129, Cleveland, Ohio 44101 • 440.461.5200 • www.preformed.com • e-mail: inquiries@preformed.com

SP3152