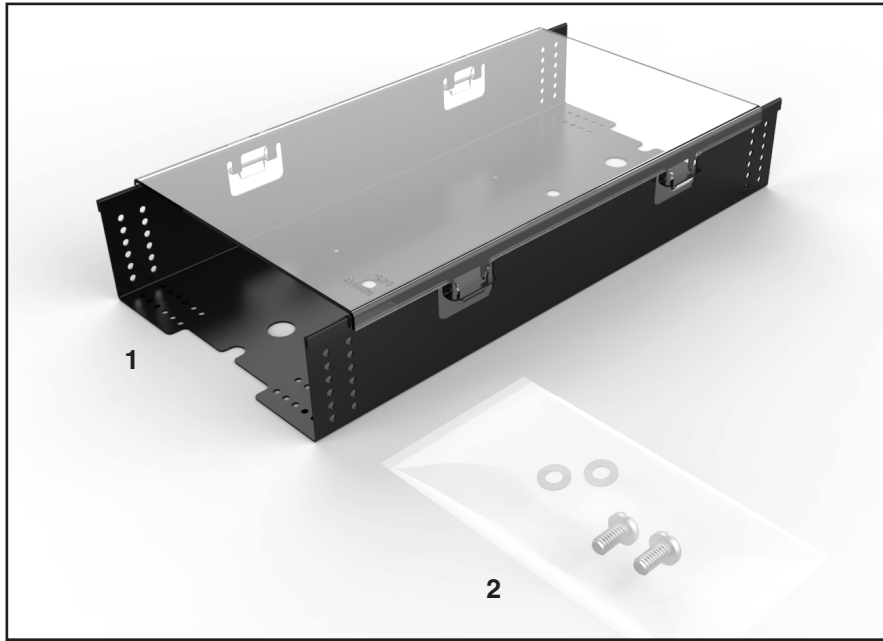




## Deep Metal Transition Tray Replacement Kit (80061335) for 9.5" x 28" COYOTE® Dome Closure (80061056)

Be sure to read and completely understand this procedure before applying product.  
Be sure to select the proper size PREFORMED™ product before application.



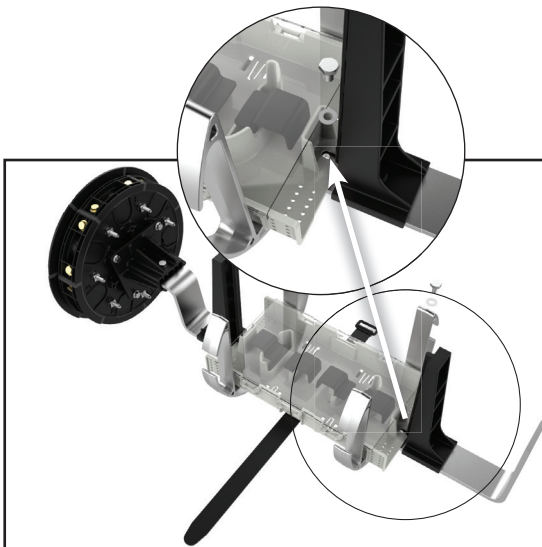
### NOMENCLATURE

1. Deep Metal Transition Tray (1)
2. Small Parts Bag Containing Two Plastic Washers and Two Screws (1)

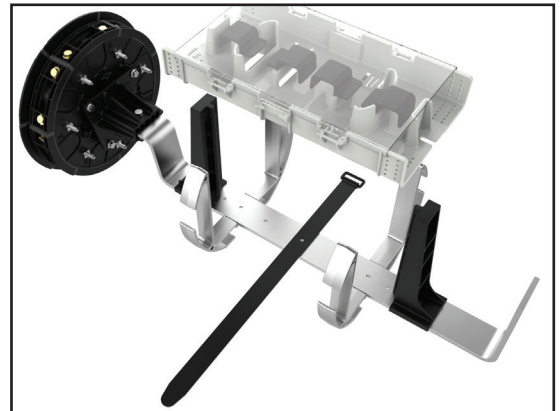
### TOOLS REQUIRED

- 3/8" & 7/16" Can wrench or socket wrench
- Phillips Head or Flat Head Screwdriver

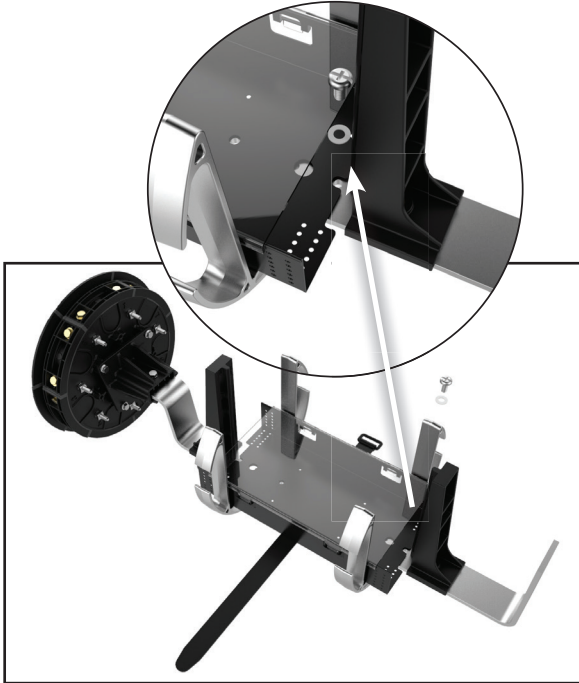
**Step #1** Remove the two hex head screws and their corresponding plastic washers that hold the plastic transition tray in place.



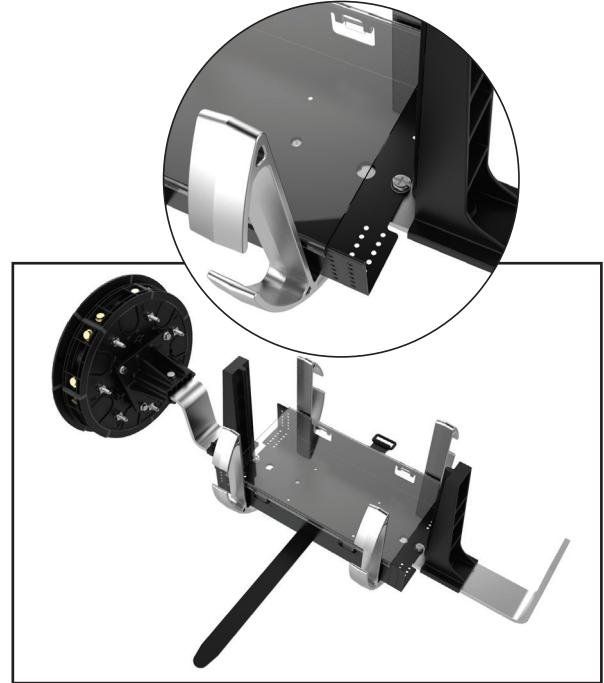
**Step #2** Remove the plastic transition tray that is resting on the organizer bar.



**Step #3** Place the deep metal transition tray from the replacement kit (P/N: 80061335) on the organizer bar, in the same location where the plastic transition tray was originally.



**Step #4** Secure the deep metal transition tray to the organizer bar with the two plastic washers and two combination head screws provided in the replacement kit (P/N: 80061335). This connection should be hand tight.



## SAFETY CONSIDERATIONS

This application procedure is not intended to supersede any company construction or safety standards. This procedure is offered only to illustrate safe application for the individual. **FAILURE TO FOLLOW THESE PROCEDURES MAY RESULT IN PERSONAL INJURY OR DEATH.**

This product is intended for a single (one time) use and for the specified application.

**Do not modify this product under any circumstances.**

This product is intended for use by trained technicians only. **This product should not be used by anyone who is not familiar with, and not trained to use it.**

When working in the area of energized lines, extra care should be taken to prevent accidental electrical contact.

For proper performance and personal safety, be sure to select the proper size PREFORMED product before application.

PREFORMED products are precision devices. To insure proper performance, they should be stored in cartons under cover and handled carefully.



# PREFORMED LINE PRODUCTS

P.O. Box 91129, Cleveland, Ohio 44101 • 440.461.5200 • [www.prefomed.com](http://www.prefomed.com) • e-mail: [inquiries@prefomed.com](mailto:inquiries@prefomed.com)

SP3406