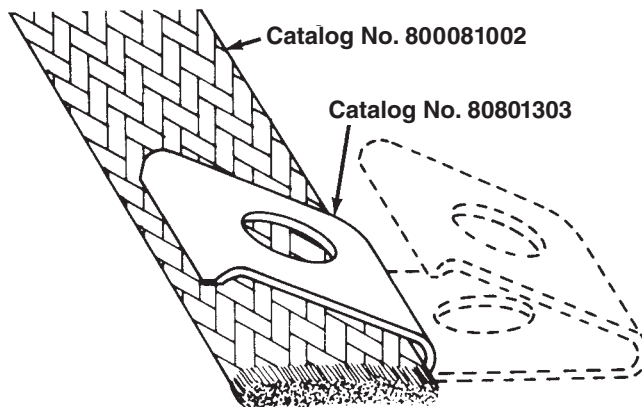
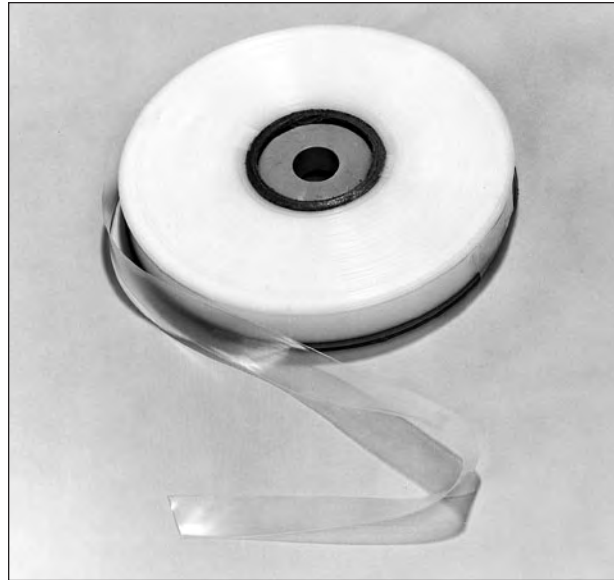


Bonding Accessories

Preformed Line Products' bonding accessories can be purchased separately, as shown, or as part of various kits displayed in this section.

When properly applied they will provide a low resistance, non-fluctuating, high-current capacity bond.

Catalog Number	Description	Standard Carton Qty.
800081002	100' (30 m) Coil of #6 Bonding Braid	1 unit
8000391	200' (60 m) Plastic Roll Tubing insulation for Bonding Braid	1 unit
80801303	Bonding Ferrules – tin plated copper attachments for #6 Bonding Braid to Shield Connector Studs	200 units



Catalog No. 800081002