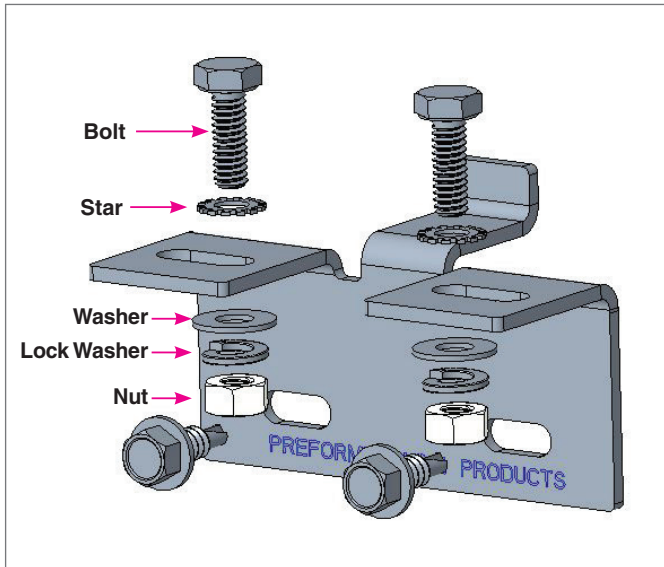


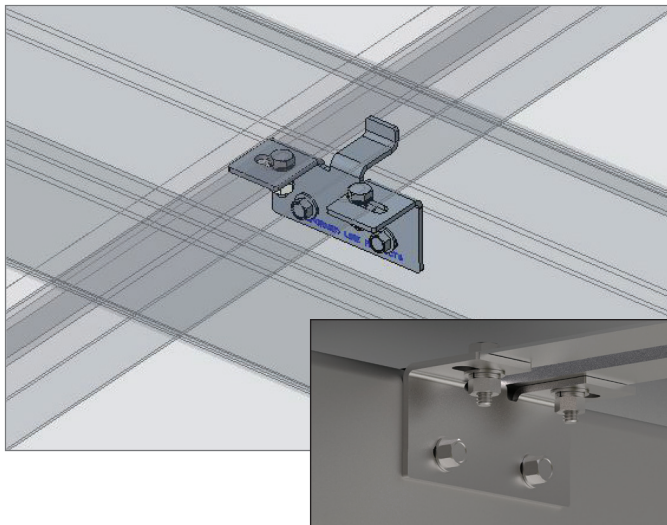
SOLAR CARPORT: Installing the Shared Module Clamp

NOTE:

Star washer must be installed between bolt head and module frame for proper grounding. Extra washers will be provided.



The Shared Module Clamp uses TEK screws to drill directly into the Cee Purlin. Spacing is determined by the horizontal hole to hole dimension on the module.

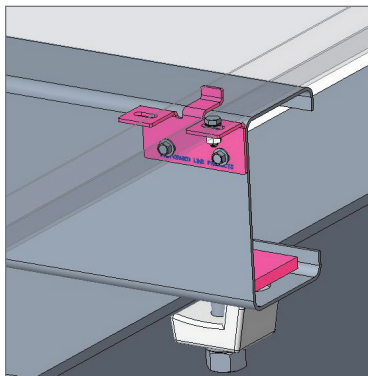


When installing modules along a row, butt the frame up to the bent portion of the module clamp for correct spacing. The bolts are installed top down through the module frame hole locations.

Hardware is tightened to 4 - 6 ft-lbs.

NOTE:

Module Clamps on the end of continuous bays will sit inside the module like the image shows.



SAFETY CONSIDERATIONS

This application procedure is not intended to supersede any company construction or safety standards. This procedure is offered only to illustrate safe application for the individual. **FAILURE TO FOLLOW THESE PROCEDURES MAY RESULT IN PERSONAL INJURY OR DEATH.**

Do not modify this product under any circumstances, except where noted in this application procedure.

This product is intended for use by trained technicians only. **This product should not be used by anyone who is not familiar with, and not trained to use it.**

When working in the area of energized lines, extra care should be taken to prevent accidental electrical contact. Be sure to wear proper safety equipment per your company protocol.



Global Headquarters
660 Beta Drive
Mayfield Village, OH 44143

Telephone: (440) 461-5200
Fax: (440) 442-8816
preformed.com
Email: info@plpsolar.com