



EASY FEET™ BRACKET POWER RAIL™ MOUNTING ATTACHMENT

INSTALLATION INSTRUCTIONS

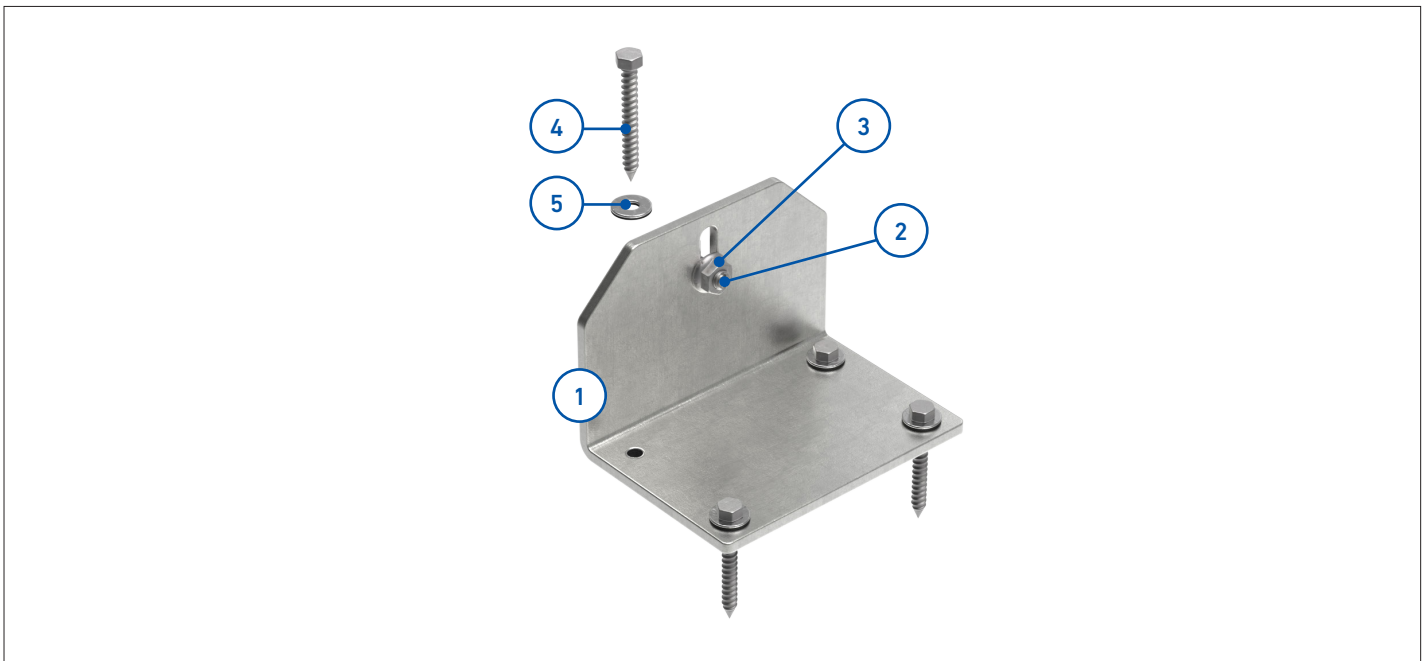


IMPORTANT SAFETY INFORMATION

READ AND COMPLETELY UNDERSTAND ALL INSTRUCTIONS BEFORE INSTALLING PRODUCT. FAILURE TO FOLLOW THESE INSTRUCTIONS MAY RESULT IN PERSONAL INJURY OR DEATH.

This product is intended for use by trained technicians only. This product should not be used by anyone who is not familiar with and not trained to use it. When working in the area of energized lines, extra care should be taken to prevent accidental electrical contact. Be sure to wear proper safety equipment per your company protocol. These instructions are not intended to supersede any company construction or safety standards. These instructions are offered only to illustrate safe installation for the individual. PLP products are intended for the specified application only. Do not modify this product under any circumstances. Do not reuse or reinstall any PLP product unless that capability is expressly indicated in the product's Installation Instructions. For proper performance and personal safety, be sure to select the proper PLP product before installation. PLP products are precision devices. To ensure proper performance, they should be stored in cartons under cover and handled carefully.

PACKAGE COMPONENTS



1. Easy Feet Bracket with pre-applied butyl mastic (1)
2. 5/16" x 3/4" stainless steel Turn Bolt (1)
3. 5/16" stainless steel Flange Nut (1)
4. 1/4" Deck Screws (4)
5. 1/4" Neoprene bonded stainless steel washers (4)

Tools Required:

- 1/2" Socket Wrench for 5/16" Turn Bolt
- 3/8" Socket Drill Attachment for Deck Screws
- Torque Wrench

INSTALLATION GUIDELINES

Installing Easy Feet™ Bracket on a Composition Shingle or Metal Roof

Easy Feet Bracket can be attached to the roof using "Decking Attached" Fasteners" and without locating any rafters; however, the decking beneath the substrate must be of adequate thickness for a given type of material. Please consult a local engineer or fastener manufacturer for additional guidance if needed.

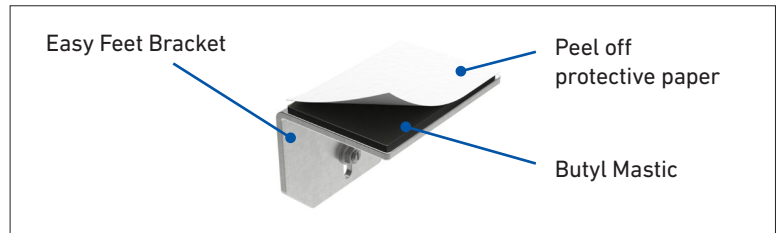
These guidelines begin after the mounting locations have been marked for each of the Easy Feet Bracket to be installed. For questions about the product, contact the Solar Technical Support Team at +1 800 260 3792.

Periodic Inspection

Periodic re-inspection is a recommended system maintenance procedure to check for any loose components and any corrosion. If any loose components or any corrosion is found, the affected components are required to be replaced immediately, with the original mounting system manufacturer's component parts.

INSTALLATION

- 1 From the bottom of Easy Feet Bracket, peel off the protective paper backing from the butyl mastic.



Align the Easy Feet Bracket to the substrate and press firmly, sticking it to the substrate. Install the neoprene bonded washers onto the screws with the rubber side down. Drive the screws into the substrate until the neoprene rubber protrudes from the washer edges. Attach the appropriate POWER RAIL™ to the Easy Feet Bracket using the provided 5/16" x 3/4" Turn Bolt and Flange Nut. Torque to 14-16 ft-lb.

