

APPLICATION PROCEDURE
& SAFETY CONSIDERATIONS
PREFORMED LINE PRODUCTS



JULY 1999

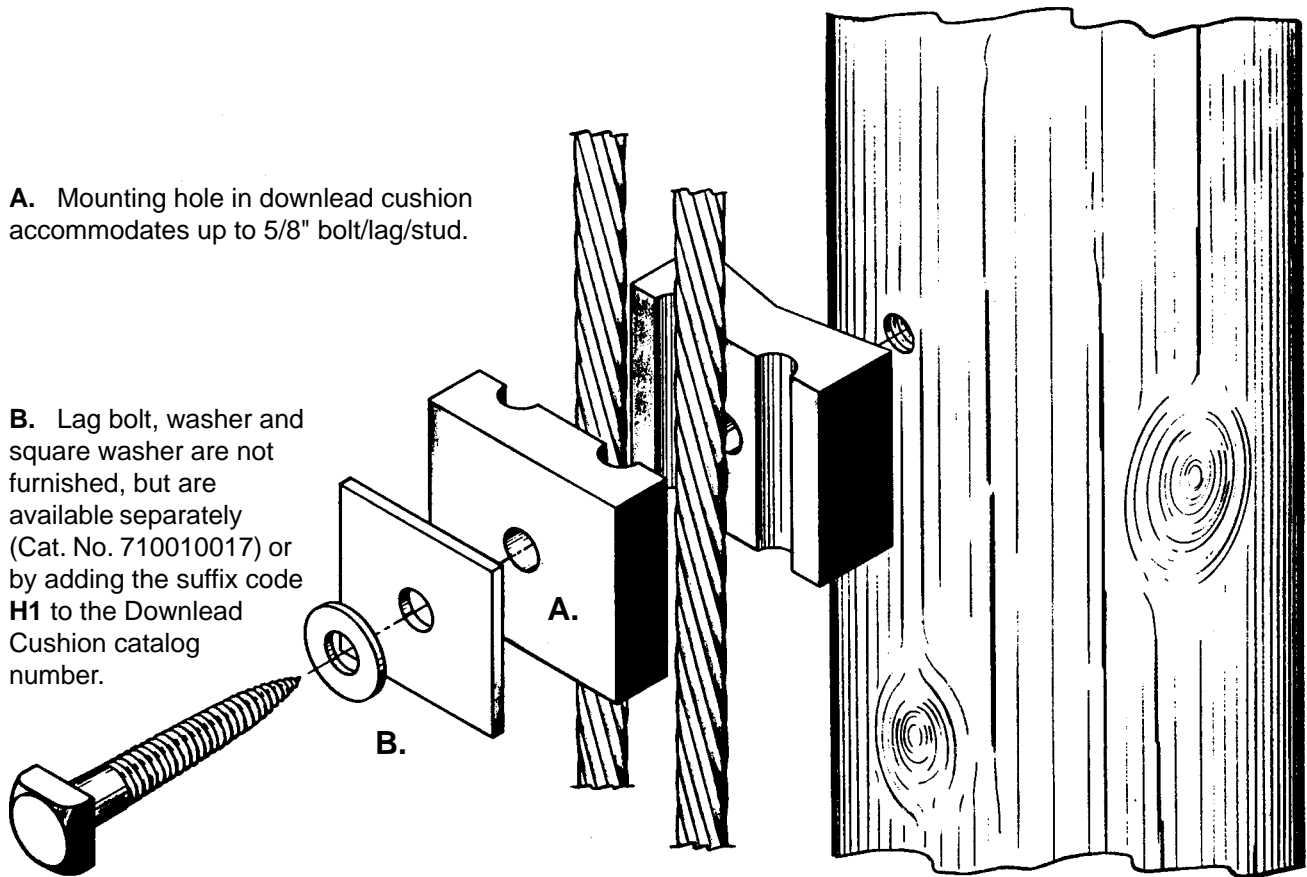
FIBERLIGN® DOWNLEAD CUSHION

For OPGW or ADSS Fiber Optic Cables

Be sure to read and completely understand this procedure before applying product. Be sure to select the proper PREFORMED™ product before application.

A. Mounting hole in download cushion accommodates up to 5/8" bolt/lag/stud.

B. Lag bolt, washer and square washer are not furnished, but are available separately (Cat. No. 710010017) or by adding the suffix code **H1** to the Download Cushion catalog number.



When mounting to a steel or concrete pole use appropriate bolt/stud approximately 3" long. The bolt/stud may be welded, bolted or banded to structure as appropriate. Preformed Line Products Banding Bracket Kits provide the proper bolt for installation.

Aluminum Download Cushions are available to electronically bond OPGW fiber optic cable to a structure. Standard company practices should be used to clean and prepare metal contact surfaces if bonding is required. Some structures may require paint removal to expose bare metal and provide good metal to metal contact. A quality inhibitor should be applied to each cleaned metal interface to retard oxidation.

SAFETY CONSIDERATIONS

1. This application procedure is not intended to supersede any company construction or safety standards. This procedure is offered only to illustrate safe application for the individual. **CAUTION: FAILURE TO FOLLOW THESE PROCEDURES AND RESTRICTIONS MAY RESULT IN PERSONAL INJURY OR DEATH.**
2. This product is intended for the specified application. **CAUTION: DO NOT MODIFY THIS PRODUCT UNDER ANY CIRCUMSTANCES.**
3. This product is intended for use by trained craftspeople only. This product **SHOULD NOT BE USED** by anyone who is not familiar with and trained in the use of it.
4. When working in the area of energized lines with this product, **EXTRA CARE** should be taken to prevent accidental electrical contact.
5. For **PROPER PERFORMANCE AND PERSONAL SAFETY** be sure to select the proper size **PREFORMED™** products before application.
6. **PREFORMED™** products are precision devices. To insure proper performance, they should be stored in cartons under cover and handled carefully.

PREFORMED LINE PRODUCTS 
P.O. Box 91129, Cleveland, Ohio 44101 (440) 461-5200 www.prefomed.com

SP2709-3