



CTA Next Day Delivery

Preformed Line Products (PLP) provides a rapid turnaround service for a range of Compression Terminating Aluminium (CTA) palms used for substation terminations.

The range available is compatible with AAC and ACSR conductors in sizes from 21.8mm to 33.8mm diameter, using standard AS palm sizes, and bend angles from 0° to 90° in 15° increments. Table B shows the configurations that are available for next day delivery.

PLP are able to supply other configurations as well as large quantities for project orders. These are available with standard lead times.

Three simple steps for next day delivery

1 Select the part number

Refer to the CTA Part Number Configurator Table A

- Select the conductor diameter
- Select the palm bend angle
- Select the palm configuration

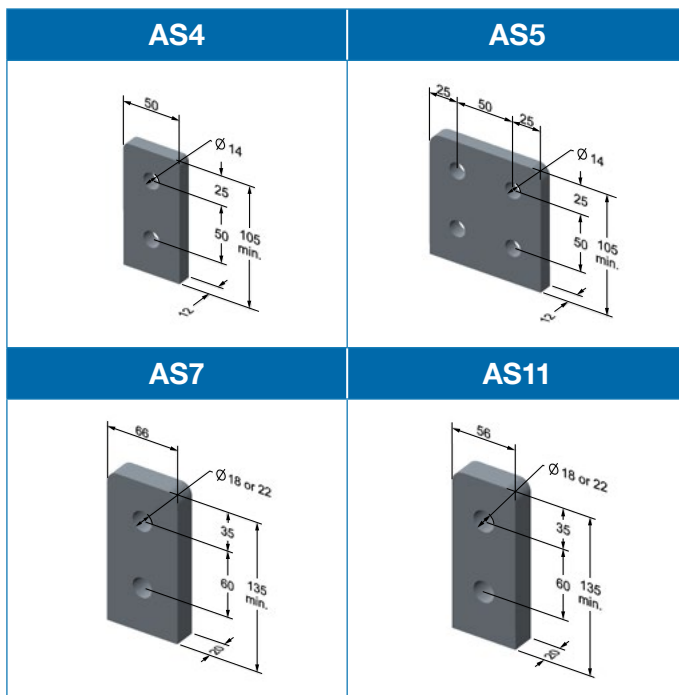
2 Check Table B for available configurations

Select the part number required

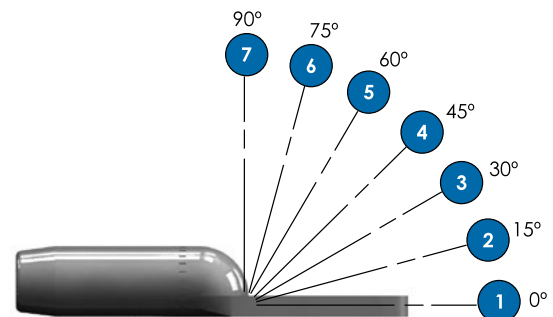
3 Place the order

- Email orders to sales@preformed.com
- Orders for next day dispatch **MUST** be received by 10:30am NSW time Monday to Friday
- Quantity limit of 12 pieces of each type, per order, apply

Standard CTA palm configurations available for next day dispatch include: AS4, AS5, AS7 and AS11.



Standard offset compression palms can be supplied with palm bend-angles between 0 and 90 degrees



CTA Palm Part Number Configurator

TABLE A – CTA part number combinations

Example: 27mm conductor diameter, 30° bend angle, AS5 palm size, 12mm palm depth, edge bend not available, holes as per standard. Example part number is CTA-270-35111.

C	T	A	-	Conductor Diameter	-	Bend Angle	Palm Size	Palm Depth	Edge Bend	Holes
C	T	A	-						1	

Conductor Dia.	Part No.
21.0	210
22.8	228
23.8	238
24.5	245
26.3	263
27.0	270
29.3	293
31.5	315
33.8	338

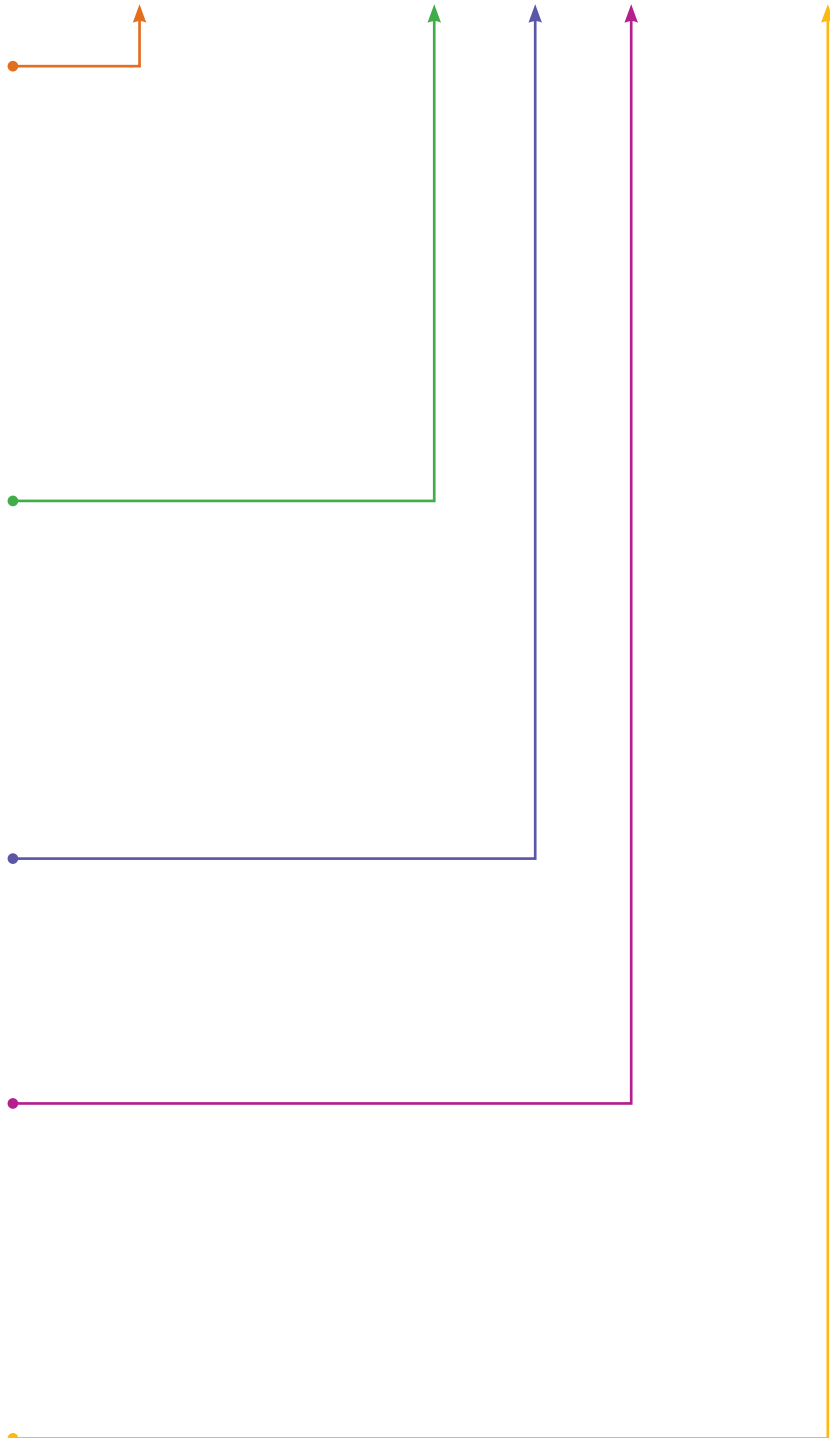
Bend Angle	Part No.
0°	1
15°	2
30°	3
45°	4
60°	5
75°	6
90°	7

Palm Size	Part No.
AS4	1
AS11	2
AS7	3
AS5	5

Palm Depth	Part No.
12mm	1
16mm	2
20mm	3

Edge Bend	Part No.
0°	1

Holes	Part No.
None	0
As per AS type	1



CTA Next Day Delivery Available Part Numbers

TABLE B – Configurations available for next day delivery

C	T	A	-	Conductor Diameter			-	Bend Angle	Palm Size	Palm Depth	Edge Bend	Holes
C	T	A	-	2	1	0	-	Insert number corresponding to required bend angle, selected from part-number make-up	1	2	1	Insert 0 for no holes, insert 1 for standard hole configuration for selected AS palm size
C	T	A	-	2	1	0	-		2	2	1	
C	T	A	-	2	2	8	-		1	2	1	
C	T	A	-	2	2	8	-		2	2	1	
C	T	A	-	2	3	8	-		1	2	1	
C	T	A	-	2	3	8	-		2	2	1	
C	T	A	-	2	3	8	-		5	1	1	
C	T	A	-	2	6	3	-		1	2	1	
C	T	A	-	2	6	3	-		2	2	1	
C	T	A	-	2	6	3	-		5	1	1	
C	T	A	-	2	7	0	-		1	2	1	
C	T	A	-	2	7	0	-		5	1	1	
C	T	A	-	2	9	3	-		1	1	1	
C	T	A	-	2	9	3	-		1	2	1	
C	T	A	-	2	9	3	-		2	2	1	
C	T	A	-	2	9	3	-		2	3	1	
C	T	A	-	2	9	3	-		3	2	1	
C	T	A	-	2	9	3	-		5	1	1	
C	T	A	-	2	9	3	-		5	2	1	
C	T	A	-	3	1	5	-		1	2	1	
C	T	A	-	3	1	5	-		2	2	1	
C	T	A	-	3	1	5	-		5	1	1	
C	T	A	-	3	1	5	-		5	2	1	
C	T	A	-	3	3	8	-		1	2	1	
C	T	A	-	3	3	8	-		2	2	1	
C	T	A	-	3	3	8	-		2	3	1	
C	T	A	-	3	3	8	-		3	2	1	
C	T	A	-	3	3	8	-		5	1	1	
C	T	A	-	3	3	8	-		5	2	1	

Note: Table A is a configurator to assist with the creation of the part number required. PLP is able to manufacture any combination of Table A part numbers. Only Table B part numbers are available for next day despatch.

Additional PLP Products Available



Palms and Flags

Palms can be welded to busbars or end caps and current ratings are matched to the rating of the busbars.



Busbar Joint Sleeves

Sleeves for welded connections of aluminium busbar to create continuous sections.



Flexible Connectors

Used to provide flexible, non-rigid connections between busbar sections. Aluminium, copper and tinned Flexible Connectors are available.



Supports for Busbars

Fixed and floating supports for busbar systems.



Spacers

Conductor Spacers are available in a wide range of configurations.



PREFORMED LINE PRODUCTS

ABN 27 004 533 877

190 Power Street, Glendenning NSW 2761, Australia | PO Box 626, St Marys NSW 1790, Australia

Phone: +61 2 8805 0000 | sales@preformed.com | www.preformed.com.au