

COYOTE® Splice Case


Versatile:

The COYOTE® Closure Case is very versatile accommodating a wide variety of optical fibre cables. It effectively maintains an airtight, watertight seal around all types of fibre optic cable.

Easy to use:

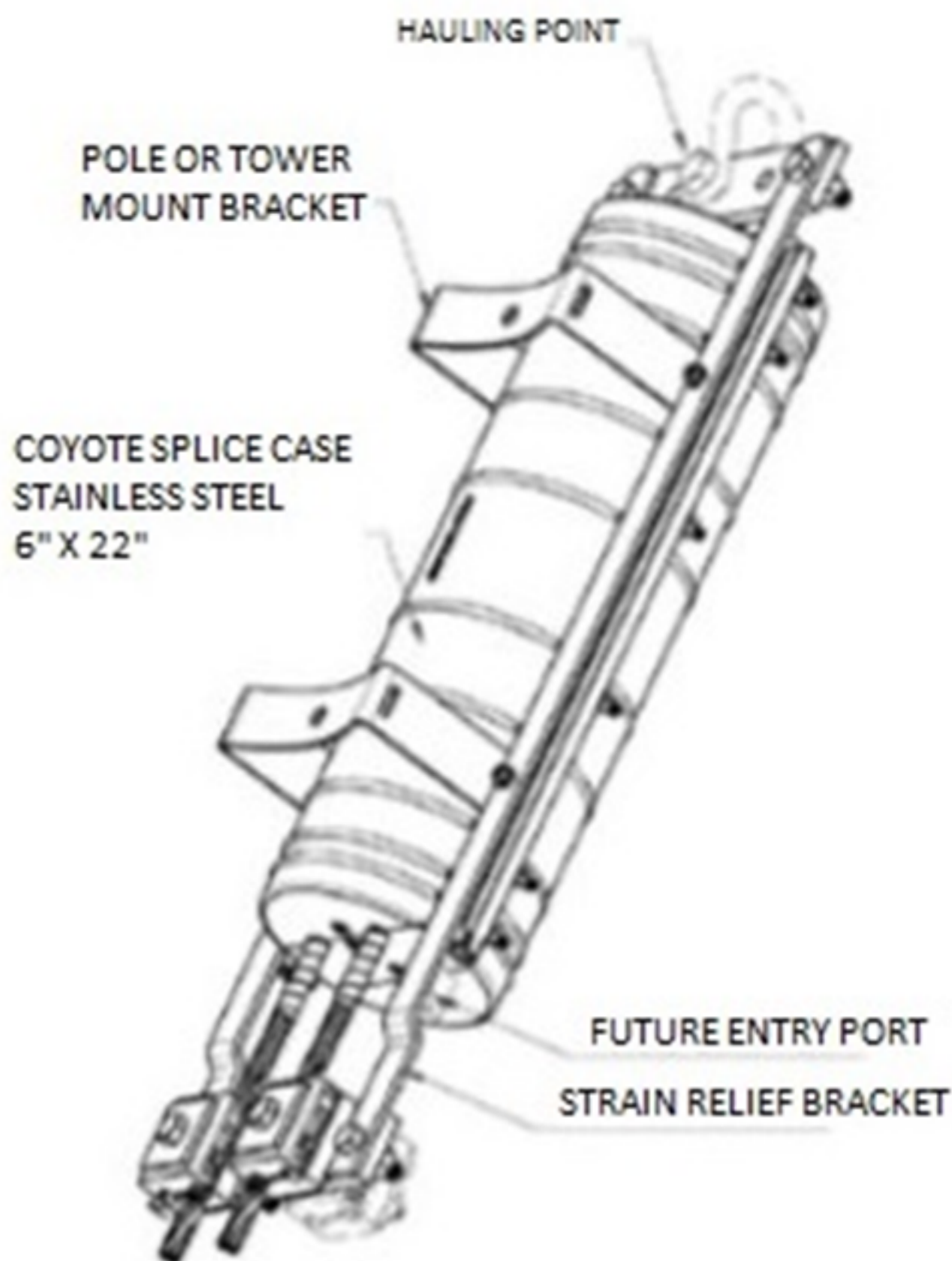
The COYOTE® Splice Case offers easy-to-use Lockbar™ fastening, reducing splice case installation and re-entry time. It can be easily re-entered without a special kit or special tools.

Secure:

The splice case remains secure whether the application is overhead or underground. Mounting brackets for overhead installation are available for wood poles, concrete/steel poles or transmission towers. The COYOTE® Splice Case is packaged to order for each communication application.

Features:

- Maintains an airtight and watertight seal
- Corrosion resistant
- Sealing system eliminates drilling and 'heat shrink' requirements
- Rapid installation and re-entry without special tools
- Splicing up to 864 fibres
- Versatile fibre management system


TYPICAL ASSEMBLY INCLUSIVE OF:

- COYOTE SPLICE CASE
- POLE OR TOWER MOUNT BRACKET
- STRAIN RELIEF BRACKET WITH HAULING POINT

COYOTE[®] Splice Case



CSL

Stainless Steel For OPGW Applications - 6.5" x 22"

OPGW Kit Contents Include:

- Splice Trays – 12/24 fibres per tray standard
- Maximum of 5 standard trays – 120 fibres
- Maximum of 6 low profile trays – 144 fibres
- Tower or pole mounting bracket
- PLP lock tape sealing system with c-cement
- Strain relief bracket
- Applications procedure with every kit
- PLP future entry port

Part Number

CSL***



Please contact PLP with the following information:

- Splice capacity required
- Loose or Uni-tube storage
- Number of entries – maximum of 4
- Cable diameters
- Strain relief bracket requirements
- Mounting hardware requirements
- Future entry port requirements
- Contact PLP for higher fibre capacity

Other size stainless steel closures are available:

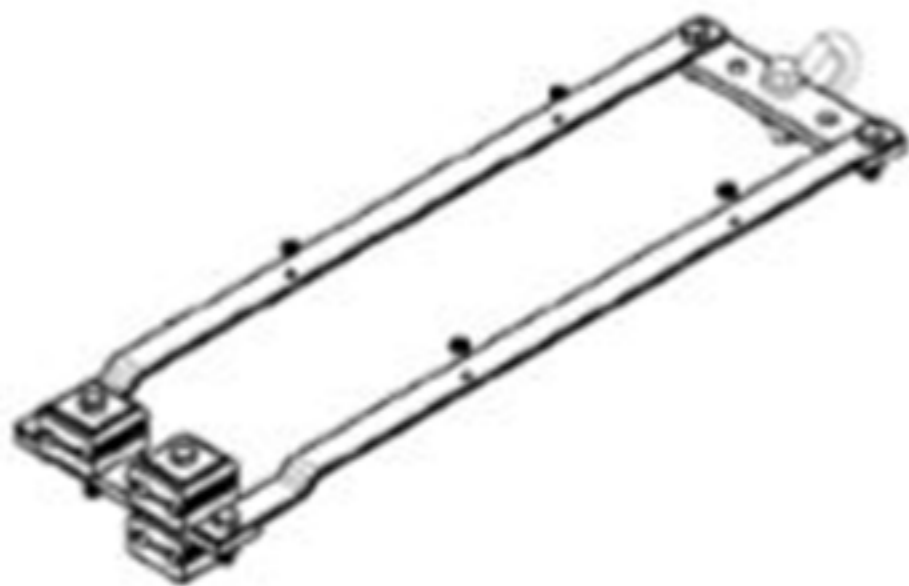
- 6.6" x 22" - 180 max splice count (standard tray)
- 6.5" x 28" - 180 max splice count (standard trays)
- 8" x 28" - 252 max splice count (standard trays)
- 9.5" x 28" - 360 max splice count (standard trays)

OFSRB

Strain Relief Bracket

Part Number

OFSRB-065B-#####



- Securing Cables at entry point of splice case
- Strain relief

COYOTE® Splice Case Mounting Hardware

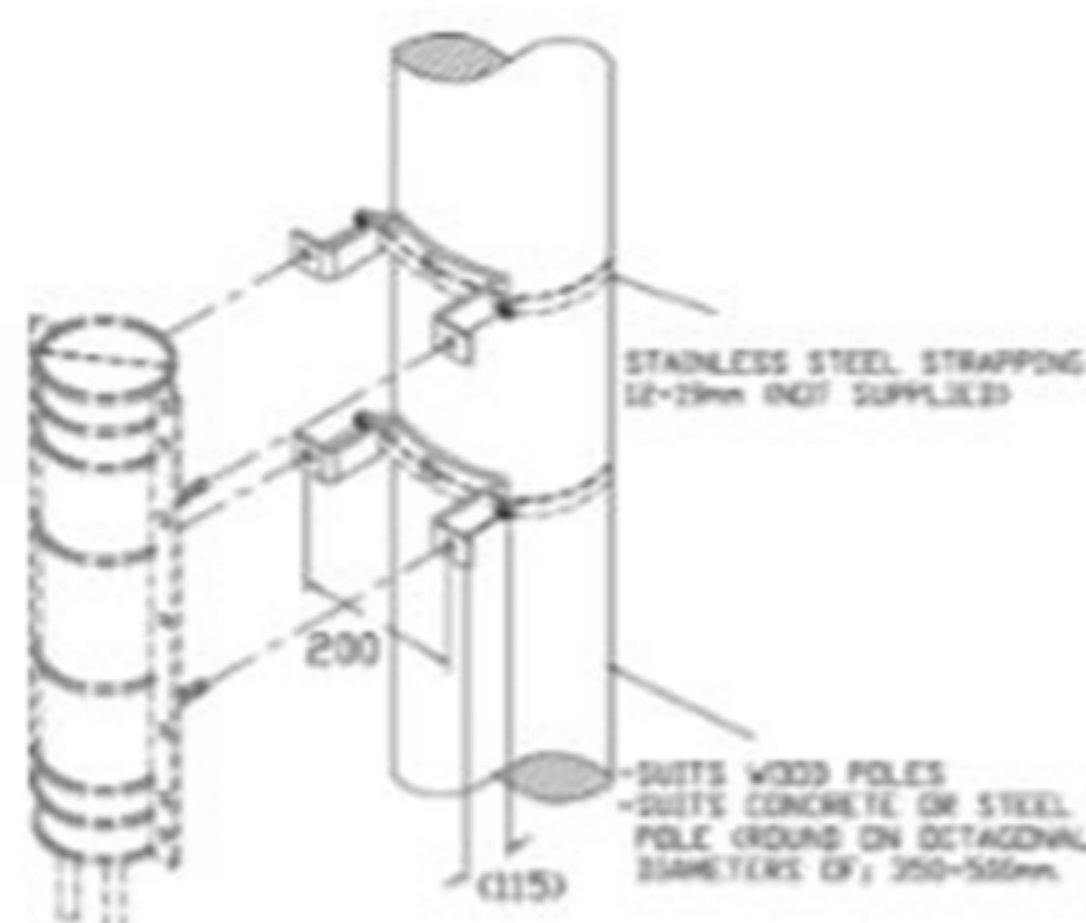


OFSCMOUNT Pole Mounting Bracket

Features:

- Suitable for wood, Concrete and Steel Poles
- Diameters of 350-500mm Standard
- 1 set includes 2 x brackets to install 1 COYOTE® Splice Case

Part Number
OFSCMOUNT-04



OFSCM Tower Mounting Bracket

Features:

- Suitable for all angle type tower construction
- 1 set includes 2 x brackets to install 1 COYOTE® Splice Case

Part Number	Tower Angle Size (mm)
OFSCM-05-01	45 - 100
OFSCM-05-02	110 - 150
OFSCM-05-03	160 - 200
OFSCM-05-04	210 - 250

