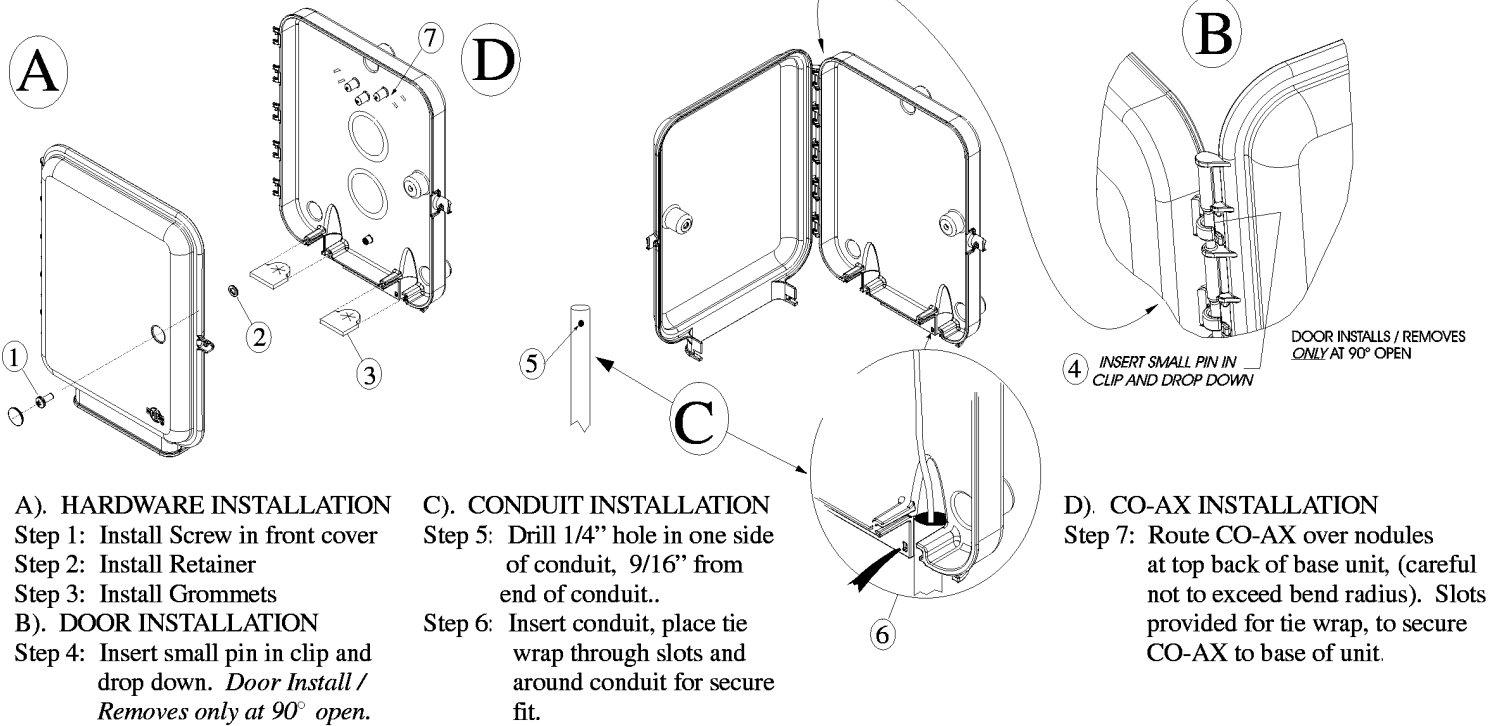


**INSTALLATION PROCEDURE****CABLE DEMARCATION ENCLOSURE****PREFORMED** LINE PRODUCTS 

**Preformed Line Products Company**  
 660 Beta Drive  
 Mayfield Village, Ohio 44143

**SAFETY CONSIDERATIONS**

1. This application procedure is not intended to supersede any company construction or safety standards. This procedure is offered only to illustrate safe application for the individual. Failure to follow these procedures may result in personal injury.
2. This product is intended for the specified application. **CAUTION: DO NOT MODIFY THIS PRODUCT UNDER ANY CIRCUMSTANCES.**
3. This product is intended for use by trained craftspeople only. This product **SHOULD NOT BE USED** by anyone who is not familiar with, and not trained to use it.
4. When working in the area of energized lines, **EXTRA CARE** should be taken to prevent accidental electrical contact.
5. For **PROPER PERFORMANCE AND PERSONAL SAFETY**, be sure to select the proper size **PREFORMED™** product before application.
6. **PREFORMED™** products are precision devices. To insure proper performance, they should be stored in cartons under cover and handled carefully.

**PREFORMED** LINE PRODUCTS 

P.O. Box 91129, Cleveland, Ohio 44101 • 440.461.5200 • www.preformed.com • email: inquiries@preformed.com

**SP2917**

© 2000 Preformed Line Products. All rights reserved.

## SAFETY CONSIDERATIONS

1. This application procedure is not intended to supersede any company construction or safety standards. This procedure is offered only to illustrate safe application for the individual. Failure to follow these procedures may result in personal injury.
2. This product is intended for the specified application. **CAUTION: DO NOT MODIFY THIS PRODUCT UNDER ANY CIRCUMSTANCES.**
3. This product is intended for use by trained craftspeople only. This product **SHOULD NOT BE USED** by anyone who is not familiar with, and not trained to use it.
4. When working in the area of energized lines, **EXTRA CARE** should be taken to prevent accidental electrical contact.
5. For **PROPER PERFORMANCE AND PERSONAL SAFETY**, be sure to select the proper size **PREFORMED™** product before application.
6. **PREFORMED™** products are precision devices. To insure proper performance, they should be stored in cartons under cover and handled carefully.

**PREFORMED LINE PRODUCTS** 

P. O. Box 91129, Cleveland, Ohio 44101 • 440.461.5200 • [www.preformed.com](http://www.preformed.com) • email: [inquiries@preformed.com](mailto:inquiries@preformed.com)

© 2000 Preformed Line Products. All rights reserved.

**SP2917**

## SAFETY CONSIDERATIONS

1. This application procedure is not intended to supersede any company construction or safety standards. This procedure is offered only to illustrate safe application for the individual. Failure to follow these procedures may result in personal injury.
2. This product is intended for the specified application. **CAUTION: DO NOT MODIFY THIS PRODUCT UNDER ANY CIRCUMSTANCES.**
3. This product is intended for use by trained craftspeople only. This product **SHOULD NOT BE USED** by anyone who is not familiar with, and not trained to use it.
4. When working in the area of energized lines, **EXTRA CARE** should be taken to prevent accidental electrical contact.
5. For **PROPER PERFORMANCE AND PERSONAL SAFETY**, be sure to select the proper size **PREFORMED™** product before application.
6. **PREFORMED™** products are precision devices. To insure proper performance, they should be stored in cartons under cover and handled carefully.

**PREFORMED LINE PRODUCTS** 

P. O. Box 91129, Cleveland, Ohio 44101 • 440.461.5200 • [www.preformed.com](http://www.preformed.com) • email: [inquiries@preformed.com](mailto:inquiries@preformed.com)

© 2000 Preformed Line Products. All rights reserved.

**SP2917**