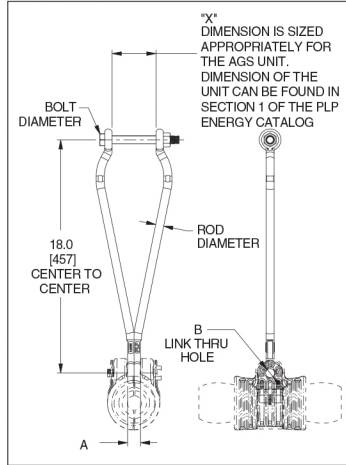
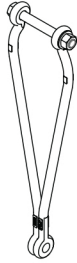




Transmission Line String Hardware

Vertical Bundling Link for AGS



Features	
Body	Forged steel, hot dip galvanized
Hardware	Galvanized Steel
Cotter Pin	Stainless Steel

Catalog Number	AGS Range inches (mm)	General Dimensions – inches (mm)					Wt. Per 100 Units lbs (kg)
		Rod Diameter inches (mm)	Bolt Diameter inches (mm)	Center to Center inches (mm)	A	B	
VBL-04	.751-.907 (19.0-23.0)	5/8 (15.8)	5/8 (15.8)	18 (457)	1 (25)	11/16 (17.5)	350 (158)
VBL-05	.908-1.005 (23.0-25.5)	5/8 (15.8)	5/8 (15.8)	18 (457)	1 (25)	11/16 (17.5)	390 (177)
VBL-06	1.006-1.208 (25.5-30.6)	5/8 (15.8)	5/8 (15.8)	18 (457)	1 (25)	11/16 (17.5)	392 (178)
VBL-07	1.209-1.355 (30.6-34.4)	3/4 (19.0)	3/4 (19.0)	18 (457)	1-3/8 (36)	13/16 (20.6)	530 (240)
VBL-08	1.356-1.557 (34.4-39.54)	3/4 (19.0)	3/4 (19.0)	18 (457)	1-3/8 (36)	13/16 (20.6)	540 (245)
VBL-09	1.558-1.882 (39.54-47.80)	3/4 (19.0)	3/4 (19.0)	18 (457)	1-3/8 (36)	13/16 (20.6)	540 (245)
VBL-10	1.883-2.233 (47.80-56.71)	3/4 (19.0)	3/4 (19.0)	18 (457)	1-3/8 (36)	13/16 (20.6)	540 (245)

Also available in 12" (304 mm) vertical spacing. Add -12 to catalog number (example: VBL-06-12).
 Each assembly consists of two links, one bolt for top AGS, one lock washer and one locknut.