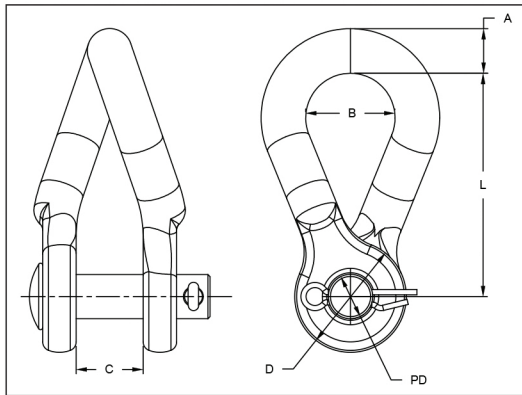
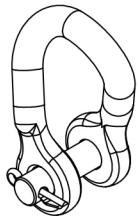


Rotated Anchor Shackle



Features

Body	Forged steel, hot dip galvanized
Hardware	Galvanized Steel
Cotter Pin	Stainless Steel

Catalog Number	General Dimensions – inches (mm)						Vertical Ultimate Strength lbf (kN)	Wt. Per 100 Units lbs (kg)
	A	B	C	D	L	PD		
AS-25-90	5/8 (16)	1-1/4 (32)	1 (24)	Ø1-5/8 (40)	3-1/8 (80)	Ø5/8 (17)	25,000 (111)	140 (64)