



Polymer Insulators – Vise Top

Vise Top Pin Style

ANSI Class

55-3, 55-4, 55-5, 55-6, 55-7



Vise Top Insulators

Catalog Number	ANSI Class*	Insert	Application	Mounting Pin Diameter	Approx. Unit Weight Lbs.	Carton Quantity	Carton Weight
15kV							
IP-15-VTN	55-3, 55-4	Nylon	Jacketed Conductors	1"	2	18	39
IP-15-VTM		Aluminum	Bare Aluminum Conductors				
IP-15-VTM-B		Bronze	Bare Copper Conductors				
25kV							
IP-25-VTN1	55-5	Nylon	Jacketed Conductors	1"	2.3	12	32
IP-25-VTN2				1-3/8"			
IP-25-VTM1		Aluminum	Bare Aluminum Conductors	1"			
IP-25-VTM2				1-3/8"			
IP-25-VTM1-B		Bronze	Bare Copper Conductors	1"			
IP-25-VTM2-B				1-3/8"			
35kV							
IP-35-VTN1	55-6	Nylon	Jacketed Conductors	1"	3.2	12	43
IP-35-VTN2	55-7			1-3/8"			
IP-35-VTM1	55-6	Aluminum	Bare Aluminum Conductors	1"			
IP-35-VTM2	55-7			1-3/8"			
IP-35-VTM1-B	55-6	Bronze	Bare Copper Conductors	1"			
IP-35-VTM2-B	55-7			1-3/8"			

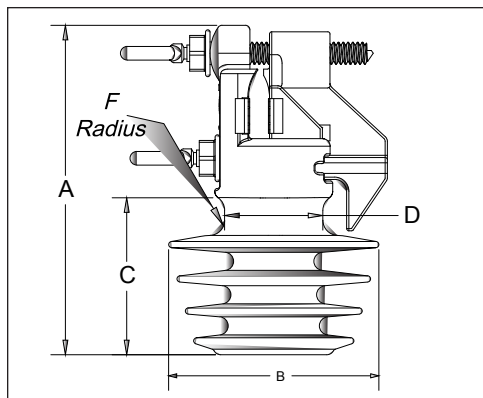
Universal Vise Top Insulators **NEW!**

Catalog Number	ANSI Class*	Insert	Application	Mounting Pin Diameter	Approx. Unit Weight Lbs.	Carton Quantity	Carton Weight
15kV							
IP-15-VTU	55-3, 55-4	Universal	All Conductor Applications	1"	2	18	39
25kV							
IP-25-VTU1	55-5	Universal	All Conductor Applications	1"	2.2	12	31
IP-25-VTU2				1-3/8"			
35kV							
IP-35-VTU1	55-6	Universal	All Conductor Applications	1"	3.2	12	43
IP-35-VTU2	55-7			1-3/8"			

*Nominal ANSI C29.5 Class designation - These ANSI specifications are for Wet Processed Porcelain Tie Top Insulators. The Vise Top Insulators meet the electrical criteria defined in the applicable specification.

Polymer Insulators – Vise Top

Nominal Dimensions



Insulator Type Catalog Number	Nominal Insulator Dimensions		
	IP-15-VT (all)	IP-25-VT (all)	IP-35-VT (all)
A	8.4	8.4	10.125
B	5.5	7.5	8.0
C	4.5	4.5	5.375
D	2.5	2.5	2.5
F (Radius)	0.5	0.5	0.5
Number of Skirts	4	3	3
Tangent Vise Attachment, Maximum Conductor O.D.	1.875	1.875	1.875
Side Groove, Maximum Conductor O.D.	1.0	1.0	1.0