

Meet the Future



COYOTE[®] Fiber Optic Connectivity

COYOTE[®] STP- MD

The COYOTE[®] STP-MD (Service Termination Point-Medium) is a compact splice closure which supports straight splice, splice to drop/branch and Internal connectivity applications. Ideal for applications in the FTTX distribution network for splice applications 24 fibers or less and connectivity solutions. Ideal product for blown fiber cable and microtube cable applications. Also supports use of traditional buffer tube cables.

Applications

- Below grade, direct buried, pole/wall mount, and pedestal mount
- Constructed with flame retardant UV stabilized materials to support interior or exterior use
- Watertight. IP68 Rated

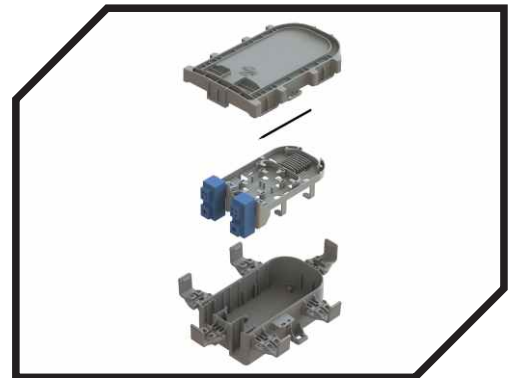
Key Features

- **Dimensions** : 200mm x 125mm x70mm (8"x 4.8"x 2,75)
- Supports up to 4 single or multi-hole grommets covering a cable diameter range from 2.4mm-14.0mm.
- **Drops**: Maximum 8
- **Max Splice Capacity**: 24
- **Max Adapter Capacity**: 4 Flangless SC connectors.
- Capable of storing expressed buffer tube cables up to 24ct standard buffer tube, 48ct tight buffer tube.
- One slot available for small PLC Splitter (max length: 40mm).
- If Splitter installed, splice count drops to 21 single fusion splices.
- Factory integrated sealing materials eliminate need for re-entry kits.
- Re-enterable and reusable.
- Designed to the TELCORDIA GR-771-CORE standard.
- Constructed with UV stabilized, flame retardant material.

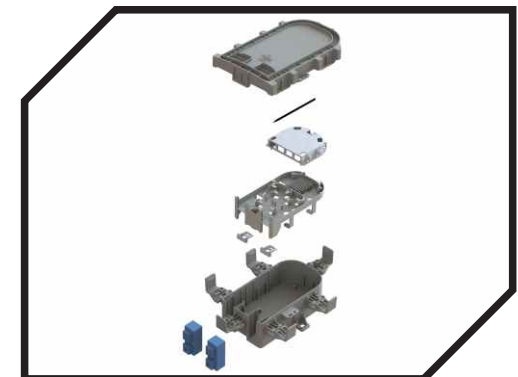
COMMUNICATIONS ENERGY SPECIAL INDUSTRIES SOLAR



Manufactured in South Africa



- SPLICE ONLY



- SPLICE + CROSS CONNECT



PREFORMED LINE PRODUCTS

The connection you can count on.