

# Easy Power Post™ Installation Guidelines

---

## Installing Easy Power Post on a composition shingle or metal roof

Easy Power Posts can be attached to the roof using “Decking Attached Fasteners” (see below) and without locating any rafters; however, the decking beneath the substrate must be of adequate thickness for a given type of material. Please consult a local engineer or fastener manufacturer for additional guidance if needed.

These guidelines begin after the mounting locations have been marked for each of the Easy Power Posts to be installed. For questions about layout see *Power Rail™ Design Guidelines*.

### Decking Attached Fasteners:

Decking Attachment Fasteners are typically supplied by Preformed Line Products (PLP) with the specific support as a kit. The specific fasteners supplied are from the GRK Fasteners Company, and is an RSS™ screw. GRK provides excellent documentation of their fasteners' capacities, including references to ICC-ES™ testing and selection criteria for various decking substrates. PLP provides the RSS screws in the *PHEINOX™* configuration with 1/4" diameter. For additional information, please reference:

[http://www.grkfasteners.com/en/selection\\_guide\\_RSS.htm](http://www.grkfasteners.com/en/selection_guide_RSS.htm)

Each Easy Power Post kit includes the following items. If any items are missing, call us toll free at 800-260-3792.

Qty	Description
1	Easy Power Post with pre-applied butyl mastic
1	5/16" x 1" Stainless steel hex bolt (when ordered with Power Rail P6 Extrusion)
1	5/16" Stainless steel lock washer (when ordered with Power Rail P6 Extrusion)
1	5/16" Stainless steel flat washer (when ordered with Power Rail P6 Extrusion)
6	1/4" x 2" RSS <i>PHEINOX</i> stainless steel screws (longer screws available when specified)
6	1/4" Neoprene bonded stainless steel washers

## Preparing and Attaching Easy Power Post to Substrate

- A. From the bottom of Easy Power Post, peel off the protective paper backing that protects the butyl mastic. (See Figure 1)
- B. Align the Easy Power Post to the substrate and press firmly, sticking it to the substrate. (See Figure 2)
- C. Install the neoprene bonded washers onto the RSS *PHEINOX* screws with the rubber side down. (See Figure 2)
- D. Drive the RSS *PHEINOX* screws into the substrate until the neoprene rubber protrudes from the washer edges.

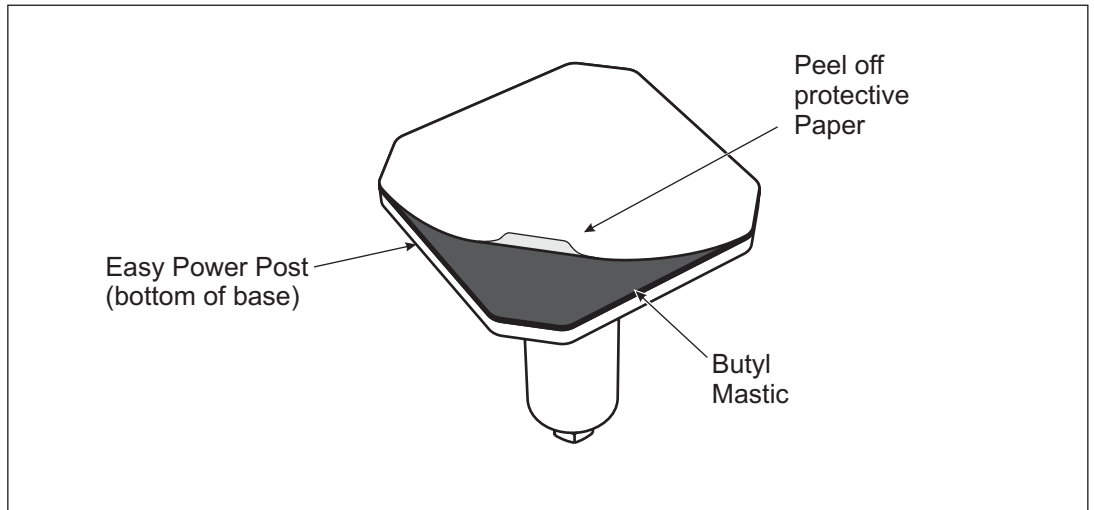


Figure 1: Removing Protective Paper

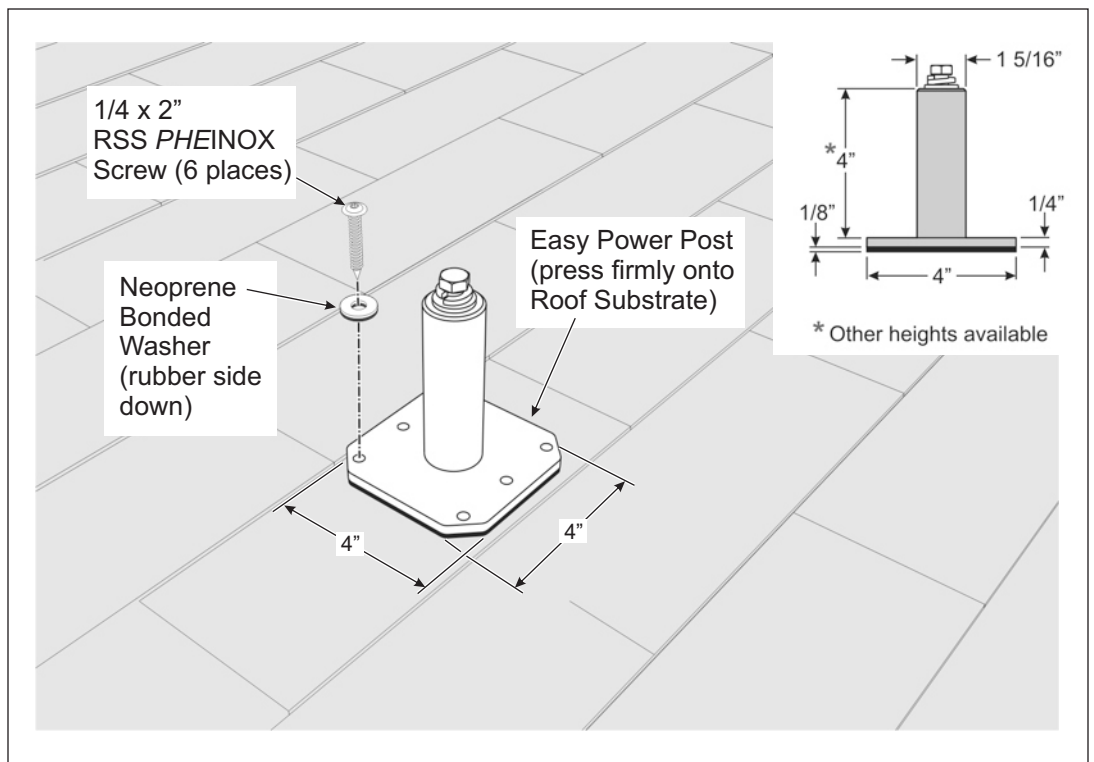


Figure 2: Securing the Easy Power Post to Roof



## **PREFORMED** LINE PRODUCTS

---

Albuquerque Office  
1700 Louisiana Blvd., Suite 130  
Albuquerque, NM 87110

Corporate Headquarters  
660 Beta Drive  
Mayfield Village, OH 44143

Telephone: 800.260.3792  
Fax: 505.889.3548  
[www.preformed.com](http://www.preformed.com)  
E-mail: [info@plpsolar.com](mailto:info@plpsolar.com)

---

© 2017 Preformed Line Products  
PCN 060111-8 Version 1, Rev D  
SP3434