

Tall 5” “L” Foot Installation Guidelines

(with optional 4” Lockin’ Pocket™ Flashing)

Installing the 5” “L” Foot on a flat commercial roof

L-Feet must be secured to structural members of the roof such as I-beams or filler beams using appropriate structural fasteners for the specific installation. Please consult a local engineer or fastener manufacturer for additional guidance as needed for your particular installation.

These guidelines begin after the structural members have been located and marked for each “L” Foot to be installed. For questions about layout see *Power Rail™ Design Guidelines*.

Each Tall 5” “L” Foot kit includes the following items. If any items are missing, call us toll free at 800-260-3792.

Qty	Description
1	5” “L” Foot
1	4” Lockin’ Pocket Flashing with recommended LPS sealer and Weather-Tite Hurricane Force Universal Sealer® (optional)
1	5/16” x 3/4” Stainless steel carriage bolt *
1	5/16” Stainless steel flange nut*

* When ordered with Power Rail P6 Extrusion

Step 1: Secure the 5" "L" Foot to the Roof

Secure the L-Foot to roof substructure using one threaded fastener which has been attached with the appropriate tooling. (See Figure 1-1)

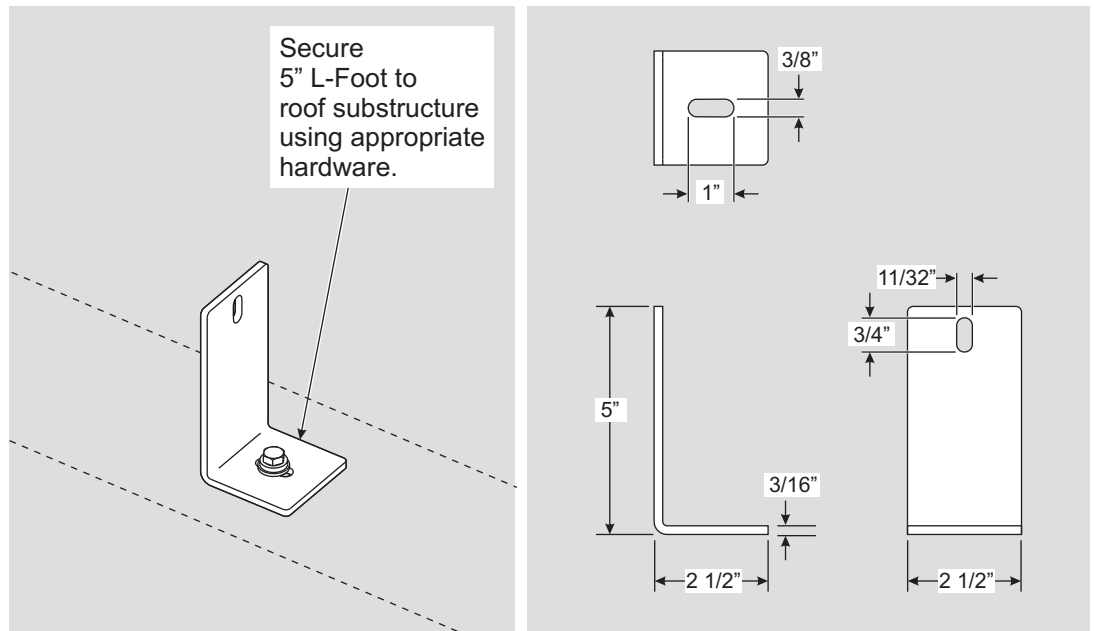


Figure 1-1: Attaching the 5" L-Foot & Dimensions

Important Information on installing the 4" Lockin' Pocket

Approved Membrane Substrates: Granule surfaced modified bitumen, EPDM, TPO, Metal, Smooth surfaced asphalt Built-up Roofs (BUR), Gravel surfaced BUR (asphalt & coal tar pitch).

Limitations: Do not apply on wet or damp surfaces. Do not use grout or any other type fillers. The Lockin' Pocket must be installed on a flat level substrate, and is not intended for steep slope applications.

Surface Preparation: All work surfaces should be clean, dry, and free of dirt, dust, debris, oils, loose and/or embedded gravel, un-adhered coatings, deteriorated membrane and other contaminants that may result in a surface that is not sound or is uneven. For applications on granule surfaced modified bitumen membranes, remove all loose granules from the surface of the membrane prior to installing Millennium LPS.

When Lockin' Pockets are installed on a single ply membrane the surface of the membrane must be prepared according to the single ply manufacturer's recommendations. As a general guideline the following methods of surface preparation shall apply:

- EPDM: Clean with splice wash or surface cleaner and prime.
- TPO: Clean with surface cleaner and prime.
- Gravel BUR's: Remove gravel surfacing down to plies.

For applications over existing weathered asphalt or coal tar pitch BUR, apply Millennium Universal Primer prior to installing the Lockin' Pocket. For applications over fresh and/or non-oxidized asphalt, coal tar or plastic film membranes, apply Millennium Surface Treatment prior to installing the Lockin' Pocket.

To maintain the warranty, a Battery Powered Single Bead Applicator or a Pneumatic Powered Applicator must be used to apply the Weather-Tite Hurricane Force Sealer[®] otherwise the warranty is void.

Step 2: Installing the optional 4" Lockin' Pocket Flash

The Lockin' Pocket gets mounted to the roof substrate using LPS sealer along with Weather-Tite Hurricane Force Universal Sealer which fills the Pocket of the flash.

NOTE:

Be certain the roof substrate is clear of loose gravel, dirt or foreign substances before installing the Lockin' Pocket.

- A. Place and center the Lockin' Pocket around the Tall 5" "L" Foot leaving a 3/4-inch clearance between the Pocket and the "L" Foot.
- B. Mark the outside perimeter of the Pocket for reference. Then remove the Pocket. (See Figure 2-1)

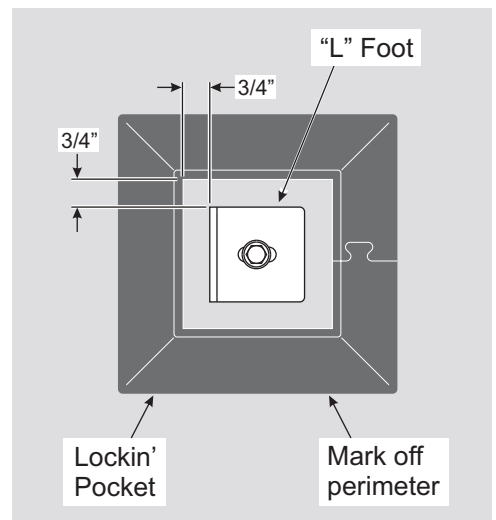


Figure 2-1: Aligning the Lockin' Pocket to 5" "L" Foot

- C. Using LPS sealant seal the perimeter of the "L" Foot base and around the attaching hardware. (See Figure 2-2)

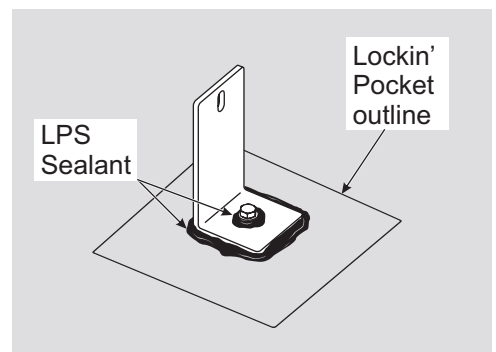


Figure 2-2: Applying LPS Sealant around base & attaching Hardware

- D. Apply a liberal bead of LPS sealant to the locking point of the Lockin' Pocket and interlock the joint.
(See Figure 2-3)

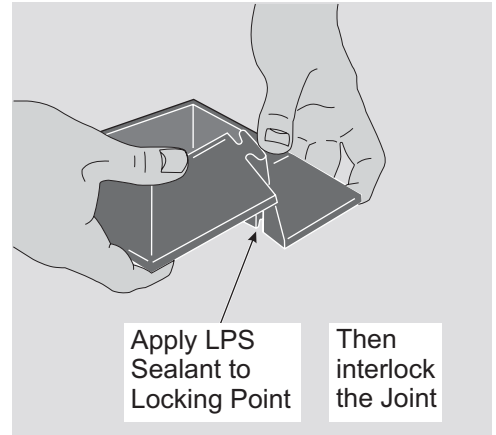


Figure 2-3: Apply LPS Sealant and Locking the Interlock Joint

- E. Following the inside of the reference line, apply a liberal bead of LPS sealant to the roof substrate.
- F. Align the Lockin' Pocket to the reference line. Applying equal pressure all around its perimeter, press it firmly downward making a positive contact with the roof substrate. (See Figure 2-4)

CAUTION:

To prevent any weather related leaks, be sure that there is uniform squeeze-out of LPS sealant around the perimeter of the Pocket after pressing it onto the roof substrate.

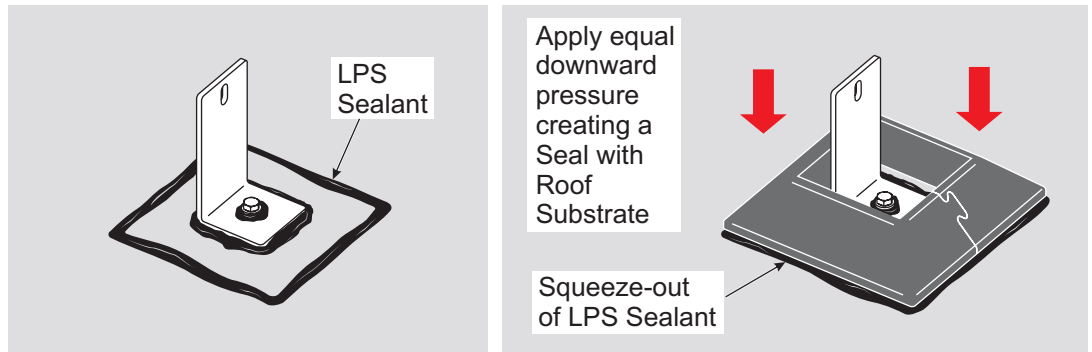


Figure 2-4: Attaching Lockin' Pocket to Roof Substrate

- G. Strike away/blend the LPS bead around the perimeter of the Pocket creating a uniform seal all the way around between the Pocket and roof substrate. (See Figure 2-5)

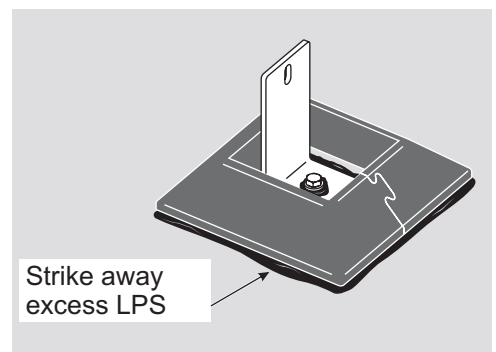


Figure 2-5: Strike/Blend LPS Sealant around perimeter

NOTE:

A powered single bead applicator must be used when applying the Universal Sealer.

WARNING:

Read and follow the manufacturers warning label before using the Weather-Tite Hurricane Force Universal Sealer

- H. Ensure a proper mix of the Weather-Tite Hurricane Force Universal Sealer by first dispensing a small amount in a waste receptacle. (See Figure 2-6)

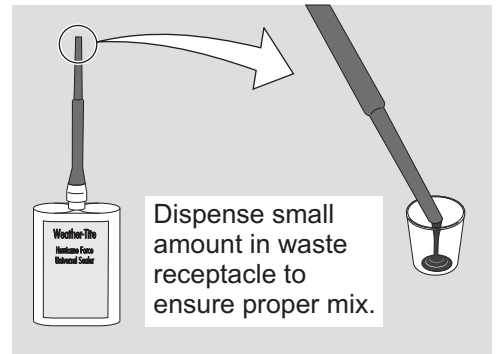


Figure 2-6: Ensuring proper mix of Universal Sealer

- I. Fill the Pocket with Universal Sealer working around the Post and allowing an even flow of Sealant. Fill the Pocket evenly to the top. (See Figure 2-7)

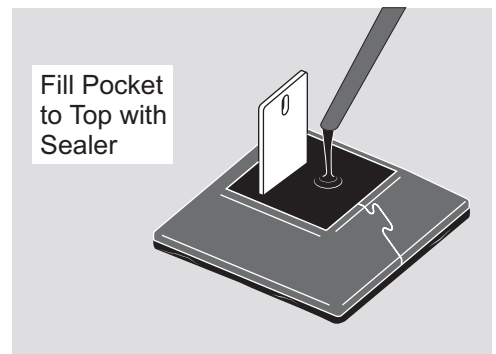


Figure 2-7: Filling Pocket with Sealer



PREFORMED LINE PRODUCTS

Albuquerque Office
1700 Louisiana Blvd., Suite 130
Albuquerque, NM 87110

Corporate Headquarters
660 Beta Drive
Mayfield Village, OH 44143

Telephone: 800.260.3792
Fax: 505.889.3548
www.prefomed.com
E-mail: info@plpsolar.com

© 2017 Prefomed Line Products
PCN 060111-16 Version 1, Rev B
SP3431