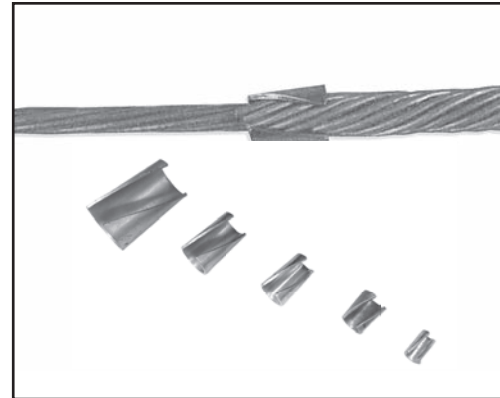




End Sleeves

**For Use On:
C-Coat Galvanized Steel
Big-Grip Dead-ends**

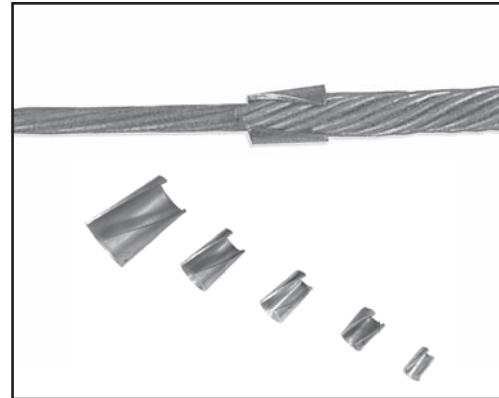


Galvanized Strand Size (inches)	Catalog Number C-Coat	End Sleeve Catalog Number
3/16	BG-2142	GC-65303
1/4	BG-2144	GC-65136
5/16	BG-2146	GC-65128
3/8	BG-2147	GC-65264
7/16	BG-2148	GC-65265
1/2	BG-2115	GC-65266
9/16	BG-2116	GC-65267
5/8	BG-2111	GC-65268
11/16 or 3/4	BG-2112	GC-65269
13/16 or 7/8	*BG-MS-7023	GC-65270
15/16 or 1	*BG-MS-7047	GC-65271

*Manufactured from aluminum clad steel strand

End Sleeves

**For Use On:
Aluminum Clad Steel Strand
Dead-ends**

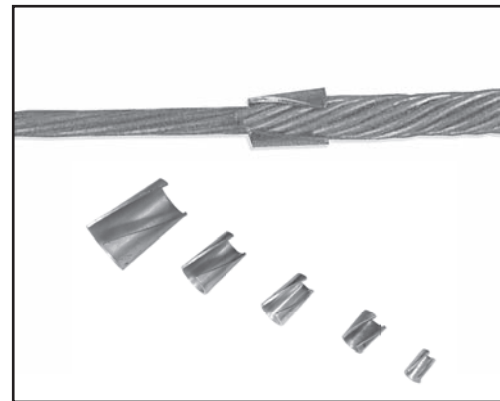


Aluminum Clad Steel Strand Size	Dead-end Catalog Number	End Sleeve Catalog Number
6M, 3 #9	BG-4210	GC-65436
10M, 7 # 10	BG-4216	GC-65128
12.5, 7 # 9	BG-4220	GC-65264
14M 16M, 7 # 8 18M	BG-4221 BG-4223 BG-4225	GC-65265
7 # 7	BG-4226	GC-65265
20M 7 # 6	BG-4227 BG-4168	GC-65266
9 # 10	BG-4169	GC-65266
25M 7 # 5 19 # 9	BG-4170 BG-4171 BG-4173	GC-65267
19 # 8	BG-4176	GC-65272
37 # 10 19 # 7	BG-4179 BG-4179	GC-65269
19x, 1584 37 # 9 19 # 6 19x, 1660	BG-4181 BG-4183 BG-4183 BG-4183	GC-65298
37x, 1213 19x, 1700 19x, 1732 37x, 1237	BG-4185 BG-4185 BG-4185 BG-4185	N/A
37 # 8 19 # 5 19x, 1868	BG-4186 BG-4187 BG-4187	GC-65270
37x, 1401 137 # 7	BG-4188 BG-4189	GC-65271



End Sleeves

**For Use On:
Galvanized Steel
GUY-GRIP® Dead-ends**



Galvanized Strand Size (inches)	Catalog Number		End Sleeve Catalog Number
	B-Coat	C-Coat	
3/16	GDE-1102	GDE-2102	GC-65303
1/4	GDE-1104	GDE-2104	GC-65136
5/16	GDE-1106	GDE-2106	GC-65128
3/8	GDE-1107	GDE-2107	GC-65264
7/16	GDE-1108	GDE-2108	GC-65265
1/2	-	BG-2115	GC-65266

Please visit our website at preformed.com for additional literature.

End Sleeves Application Procedure - SP2134