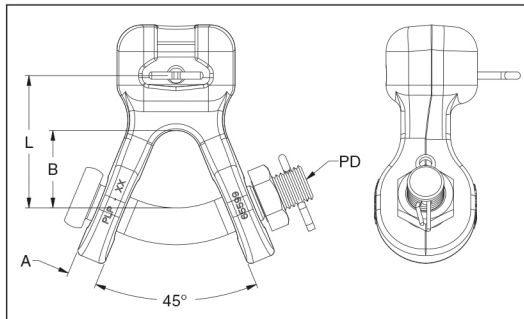
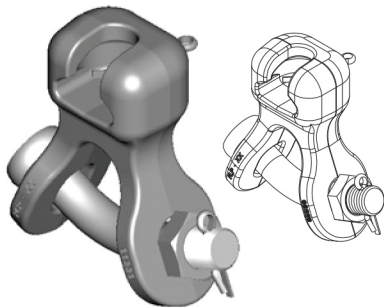


Socket Y-Clevis



Features	
Body	Forged steel (1), Ductile iron (2), hot dip galvanized
Hardware	Galvanized Steel
Cotter Pin	Stainless Steel

Catalog Number	General Dimensions inches (mm)				For Use with Insulators per ANSI Class Spec. C-29.2-71	Vertical Ultimate Strength lbf (kN)	Wt. Per 100 Units lbs (kg)	Material
	A	B	L	PD				
SYC-30	5/8 (16)	1-9/16 (39.7)	2-3/4 (69.8)	3/4 (19)	52-3 and 52-5	30,000 (133)	250 (113)	2
SYC-50	3/4 (19)	1-5/8 (41.1)	2-5/16 (58.7)	7/8 (22)	52-8 and 52-11	50,000 (222)	540 (244)	1