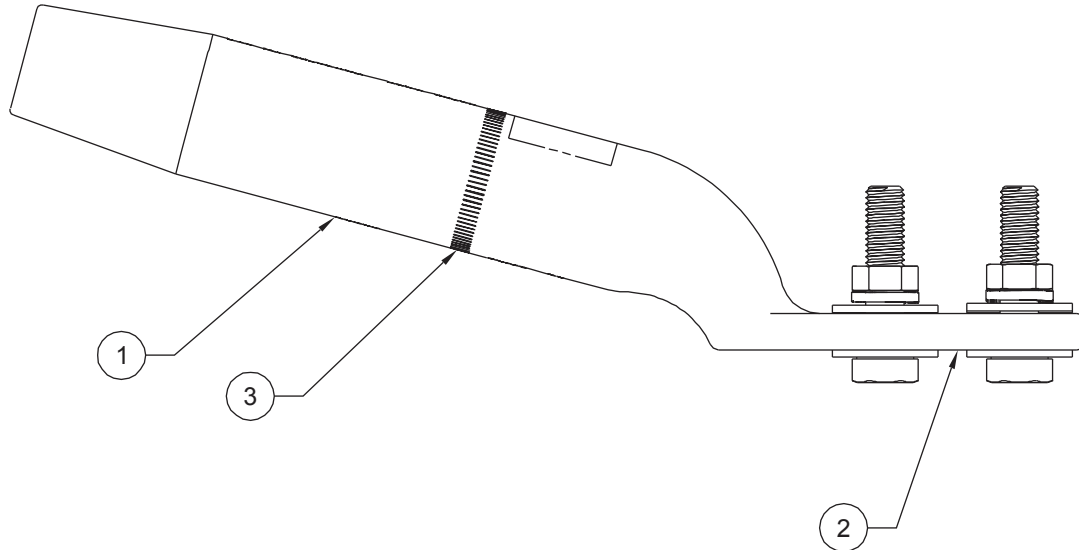




Two Stage Compression Hardware Series for ACSS and ACSS/TW Conductors

Compression Jumper Terminal – CMPTM



NOMENCLATURE

Jumpers

- 1. Aluminum Jumper Body:** Aluminum body that is compressed around the OD of the conductor.
- 2. Terminal Pad:** Pad utilized for attachment to the dead end.
- 3. Knurl Marks:** Knurls placed on the OD of the aluminum and steel components to mark start and stop locations for compression.

GENERAL RECOMMENDATIONS

The compression jumpers are specially designed for applications on ACSS conductor only.

Compression of products can be completed with industry standard presses and dies.

GENERAL SPECIFICATIONS

Holding Strength: 40% minimum of the conductor rated breaking strength (RBS).

Dead End pad is constructed with a 15° angle which allows for the terminal connection of jumper and dead-end to be bolted together in a 0° or 30° configuration.

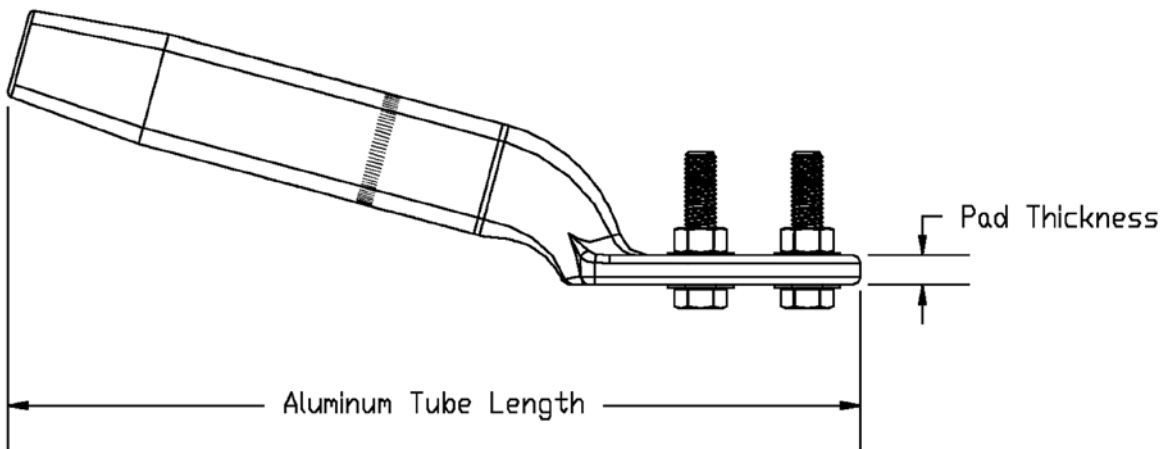
Jumper pad is constructed with a 15° angle which allows for the terminal connection of jumper and dead-end to be bolted together in a 0° or 30° configuration.

Includes: Jumper body and hardware packages which includes galvanized hardware (4 nuts, 4 bolts, 4 lock washers and 8 flat washers).

High temperature inhibitor compound is required for ACSS compression products.

Two Stage Compression Hardware Series for ACSS and ACSS/TW Conductors

Compression Jumper Terminal – CMPTM



ACSS Conductors

Terminal Assembly Catalog Number	Conductor Information				Al. Body Part No.	Al. Die Size	Dimensions	
	Code Word	Area kcmil	Al/St	Dia in			Al. Tube Length in	Pad Thickness in
CMPTM-701HT	Woodcock ACSS	336.4	22/7	0.701	86002	20AH	13.5	0.5
CMPTM-720HT	Linnet ACSS	336.4	26/7	0.720	86007	20AH	13.5	0.5
CMPTM-741HT	Oriole ACSS	336.4	30/7	0.741	86012	20AH	13.5	0.5
CMPTM-752HT	Ptarmigan ACSS	397.5	20/7	0.752	86017	20AH	13.5	0.5
CMPTM-772HT	Brant ACSS	397.5	24/7	0.772	86022	20AH	13.5	0.5
CMPTM-783HT	Ibis ACSS	397.5	26/7	0.783	86027	20AH	13.5	0.5
CMPTM-806HT	Lark ACSS	397.5	30/7	0.806	86032	20AH	13.5	0.5
CMPTM-824HT	Tailorbird ACSS	477	20/7	0.824	86037	20AH	14.5	0.5
CMPTM-846HT	Flicker ACSS	477	24/7	0.846	86042	24AH	14.5	0.5
CMPTM-858HT	Hawk ACSS	477	26/7	0.858	86047	24AH	14.5	0.5
CMPTM-883HT	Hen ACSS	477	30/7	0.883	86052	24AH	14.5	0.5
CMPTM-901HT	Sapsucker ACSS	556.5	22/7	0.901	86057	24AH	16.5	0.5
CMPTM-914HT	Parakeet ACSS	556.5	24/7	0.914	86062	24AH	16.5	0.6
CMPTM-927HT	Dove ACSS	556.5	26/7	0.927	86067	27AH	16.5	0.6
CMPTM-953HT	Eagle ACSS	556.5	30/7	0.953	86072	27AH	16.5	0.6
CMPTM-963HT	Goldfinch ACSS	636	22/7	0.963	86082	27AH	18.5	0.6
CMPTM-966HT	Squab ACSS	605	26/7	0.966	86087	27AH	16.5	0.6
CMPTM-977HT	Rook ACSS	636	24/7	0.977	86107	27AH	18.5	0.6
CMPTM-991HT	Grosbeak ACSS	636	26/7	0.991	86092	27AH	18.5	0.6
CMPTM-994HT	Wood Duck ACSS	605	30/7	0.994	86097	27AH	16.5	0.6
	Teal ACSS	605	30/19	0.994	86097	27AH	16.5	0.6
CMPTM-1000HT	Flamingo ACSS	666.6	24/7	1.000	86112	27AH	18.5	0.6
CMPTM-1014HT	Gannet ACSS	666.6	26/7	1.014	86117	27AH	18.5	0.6
CMPTM-1019HT	Scoter ACSS	636	30/7	1.019	86127	27AH	20	0.6
	Egret ACSS	636	30/19	1.019	86127	27AH	18.5	0.6
CMPTM-1036HT	Stilt ACSS	715.5	24/7	1.036	86137	27AH	18.5	0.6
CMPTM-1051HT	Starling ACSS	715.5	26/7	1.051	86122	30AH	20	0.6
CMPTM-1055HT	Macaw ACSS	795	42/7	1.055	86142	30AH	20	0.6
CMPTM-1063HT	Tern ACSS	795	45/7	1.063	86147	30AH	20	0.6
CMPTM-1081HT	Redwing ACSS	715.5	30/19	1.081	86152	30AH	20	0.6
CMPTM-1092HT	Condor ACSS	795	54/7	1.092	86157	30AH	20	0.6
	Cuckoo ACSS	795	24/7	1.092	86157	30AH	20	0.6
CMPTM-1108HT	Drake ACSS	795	26/7	1.108	86167	30AH	20	0.6
CMPTM-1131HT	Ruddy ACSS	900	45/7	1.131	86172	30AH	20	0.6
CMPTM-1140HT	Mallard ACSS	795	30/19	1.140	86177	30AH	20	0.6

Continued on next page



Two Stage Compression Hardware Series for ACSS and ACSS/TW Conductors

ACSS Conductors

Terminal Assembly Catalog Number	Conductor Information				Al. Body Part No.	Al. Die Size	Dimensions	
	Code Word	Area kcmil	Al/St	Dia in			Al. Tube Length in	Pad Thickness in
CMPTM-1162HT	Canary ACSS	900	54/7	1.162	86182	30AH	20	0.6
CMPTM-1165HT	Rail ACSS	954	45/7	1.165	86187	30AH	20	0.6
	Corncake ACSS	954	20/7	1.165	86187	30AH	20	0.6
CMPTM-1175HT	Towhee ACSS	954	48/7	1.175	86192	30AH	20	0.6
CMPTM-1196HT	Cardinal ACSS	954	54/7	1.196	86197	30AH	20	0.6
	Redbird ACSS	954	24/7	1.196	86197	30AH	20	0.6
CMPTM-1203HT	Snowbird ACSS	1033.5	42/7	1.203	86202	34AH	20	0.6
CMPTM-1212HT	Ortolan ACSS	1033.5	45/7	1.212	86207	34AH	20	0.6
CMPTM-1245HT	Curlew ACSS	1033.5	54/7	1.245	86212	34AH	20	0.6
CMPTM-1248HT	Canvasback ACSS	954	30/19	1.248	86217	34AH	20	0.6
CMPTM-1258HT	Bluejay ACSS	1113	45/7	1.258	86222	34AH	20.5	0.6
CMPTM-1292HT	Finch ACSS	1113	54/19	1.292	86227	34AH	20.5	0.6
CMPTM-1302HT	Bunting ACSS	1192.5	45/7	1.302	86232	34AH	20.5	0.6
CMPTM-1337HT	Grackle ACSS	1192.5	54/19	1.337	86237	36AH	21	0.6
CMPTM-1345HT	Bittern ACSS	1272	45/7	1.345	86242	36AH	21	0.6
CMPTM-1357HT	Diver ACSS	1272	48/7	1.357	86247	36AH	21	0.6
CMPTM-1381HT	Pheasant ACSS	1272	54/19	1.381	86252	36AH	21	0.6
CMPTM-1386HT	Dipper ACSS	1351.5	45/7	1.386	86257	36AH	21.5	0.6
CMPTM-1424HT	Martin ACSS	1351.5	54/19	1.424	86262	38AH	21.5	0.7
CMPTM-1427HT	Bobolink ACSS	1431	45/7	1.427	86267	38AH	22	0.7
CMPTM-1465HT	Plover ACSS	1431	54/19	1.465	86272	38AH	22	0.7
CMPTM-1492HT	Ratite ACSS	1590	42/7	1.492	86282	40AH	23	0.7
CMPTM-1504HT	Lapwing ACSS	1590	45/7	1.504	86287	40AH	23	0.7
CMPTM-1505HT	Parrot ACSS	1510.5	54/19	1.505	86292	40AH	23	0.7
CMPTM-1544HT	Falcon ACSS	1590	54/19	1.544	86297	40AH	23	0.7
CMPTM-1601HT	Chuckar ACSS	1780	84/19	1.601	86302	42AH	24	0.7
CMPTM-1681HT	Mockingbird ACSS	2034.5	72/7	1.681	86307	42AH	24	0.7
CMPTM-1700HT	Roadrunner ACSS	2057	76/19	1.700	86312	42AH	24	0.7
CMPTM-1735HT	Kiwi ACSS	2167	72/7	1.735	86317	44AH	24	0.8
CMPTM-1762HT	Bluebird ACSS	2156	84/19	1.762	86322	44AH	24	0.8
CMPTM-1802HT	Thrasher ACSS	2312	76/19	1.802	86327	44AH	25	0.8
CMPTM-1880HT	Joree ACSS	2515	76/19	1.880	86332	44AH	26	0.8

ACSS/TW Conductors

Terminal Assembly Catalog Number	Conductor Information				Al. Body Part No.	Al. Die Size	Dimensions	
	Code Word	Area kcmil	Al/St	Dia in			Al. Tube Length in	Pad Thickness in
CMPTM-659TWHT	Linnet ACSS/TW	336.4	18/7	0.659	86337	76AH	13.5	0.5
CMPTM-693TWHT	Oriole ACSS/TW	336.4	16/7	0.693	86342	20AH	13.5	0.5
CMPTM-776TWHT	Flicker ACSS/TW	447	18/7	0.776	86347	24AH	14.5	0.5
CMPTM-789TWHT	Hawk ACSS/TW	447	18/7	0.789	86352	24AH	14.5	0.5
CMPTM-825TWHT	Hen ACSS/TW	447	16/7	0.825	86357	24AH	14.5	0.5
CMPTM-835TWHT	Parakeet ACSS/TW	556.5	18/7	0.835	86362	24AH	16.5	0.5
CMPTM-846TWHT	Mohawk ACSS/TW	571.7	18/7	0.846	86447	24AH	16.5	0.5
CMPTM-852TWHT	Dove ACSS/TW	556.5	20/7	0.852	86367	24AH	16.5	0.5
CMPTM-858TWHT	Calumet ACSS/TW	565.3	20/7	0.858	86452	24AH	16.5	0.5
CMPTM-890TWHT	Rook ACSS/TW	636	18/7	0.890	86372	27AH	18.5	0.6
CMPTM-908TWHT	Grosbeak ACSS/TW	636	20/7	0.908	86377	27AH	18.5	0.6
CMPTM-913TWHT	Mystic ACSS/TW	666.6	20/7	0.913	86457	27AH	18.5	0.6
CMPTM-927TWHT	Oswego ACSS/TW	664.8	20/7	0.927	86462	27AH	18.5	0.6
CMPTM-953TWHT	Scoter ACSS/TW	636	18/7	0.953	86382	27AH	20	0.6
CMPTM-960TWHT	Tem ACSS/TW	795	17/7	0.960	86387	30AH	20	0.6

Continued on next page

Two Stage Compression Hardware Series for ACSS and ACSS/TW Conductors

ACSS/TW Conductors

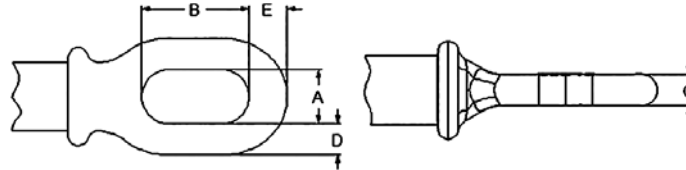
Terminal Assembly Catalog Number	Conductor Information				Al. Body Part No.	Al. Die Size	Dimensions	
	Code Word	Area kcmil	Al/St	Dia in			Al. Tube Length in	Pad Thickness in
CMPTM-977TWHT	Maumee ACSS/TW	768.2	20/7	0.977	86467	30AH	20	0.6
CMPTM-980TWHT	Puffin ACSS/TW	795	18/7	0.980	86392	30AH	20	0.6
CMPTM-990TWHT	Wabash ACSS/TW	762.8	20/7	0.990	86422	30AH	20	0.6
CMPTM-993TWHT	Condor ACSS/TW	795	20/7	0.993	86397	30AH	20	0.6
CMPTM-1010TWHT	Drake ACSS/TW	795	20/7	1.010	86402	30AH	20	0.6
CMPTM-1044TWHT	Phoenix ACSS/TW	954	30/7	1.044	86412	30AH	20	0.6
CMPTM-1055TWHT	Canary ACSS/TW	900	20/7	1.055	86407	30AH	20	0.6
CMPTM-1060TWHT	Kettle ACSS/TW	957.2	32/7	1.060	86482	30AH	20	0.6
CMPTM-1061TWHT	Rail ACSS/TW	954	32/7	1.061	86417	30AH	20	0.6
CMPTM-1077TWHT	Fraser ACSS/TW	946.7	35/7	1.077	86487	30AH	20	0.6
CMPTM-1084TWHT	Cardinal ACSS/TW	954	20/7	1.084	86422	30AH	20	0.6
CMPTM-1089TWHT	Snowbird ACSS/TW	1033.5	30/7	1.089	86427	34AH	20	0.6
CMPTM-1092TWHT	Columbia ACSS/TW	966.2	21/7	1.092	86492	30AH	20	0.6
CMPTM-1102TWHT	Ortolan ACSS/TW	1033.5	32/7	1.102	86432	34AH	20	0.6
CMPTM-1108TWHT	Suwannee ACSS/TW	959.6	22/7	1.108	86497	30AH	20	0.6
CMPTM-1129TWHT	Curlew ACSS/TW	1033.5	22/7	1.129	86437	34AH	20	0.6
CMPTM-1143TWHT	Bluejay ACSS/TW	1113	33/7	1.143	86557	34AH	20.5	0.6
CMPTM-1155TWHT	Cheyenne ACSS/TW	1168.1	30/7	1.155	86502	34AH	20.5	0.6
CMPTM-1165TWHT	Genessee ACSS/TW	1158	33/7	1.165	86507	34AH	20.5	0.6
CMPTM-1167TWHT	Oxbird ACSS/TW	1192.5	30/7	1.167	86567	34AH	21	0.6
CMPTM-1181TWHT	Bunting ACSS/TW	1192.5	33/7	1.181	86572	34AH	21	0.6
CMPTM-1185TWHT	Finch ACSS/TW	1113	38/19	1.185	86562	34AH	20.5	0.6
CMPTM-1196TWHT	Hudson ACSS/TW	1158.4	25/7	1.196	86512	34AH	20.5	0.6
CMPTM-1203TWHT	Catawba ACSS/TW	1272	30/7	1.203	86517	36AH	21	0.6
CMPTM-1213TWHT	Nelson ACSS/TW	1257.1	35/7	1.213	86587	34AH	21	0.6
CMPTM-1220TWHT	Bittern ACSS/TW	1272	35/7	1.220	86577	36AH	21	0.6
CMPTM-1225TWHT	Grackle ACSS/TW	1192.5	38/19	1.225	86527	36AH	21	0.6
CMPTM-1245TWHT	Yukon ACSS/TW	1233.6	38/19	1.245	86532	34AH	21	0.6
CMPTM-1248TWHT	Truckee ACSS/TW	1372.5	30/7	1.248	86597	34AH	21.5	0.6
CMPTM-1256TWHT	Dipper ACSS/TW	1351.5	35/7	1.256	86537	36AH	21.5	0.6
CMPTM-1259TWHT	Mackenzie ACSS/TW	1359.7	36/7	1.259	86592	36AH	21.5	0.6
CMPTM-1264TWHT	Pheasant ACSS/TW	1272	39/19	1.264	86542	36AH	21	0.6
CMPTM-1290TWHT	Thames ACSS/TW	1334.6	39/19	1.290	86607	36AH	21.5	0.6
CMPTM-1291TWHT	Bobolink ACSS/TW	1431	36/7	1.291	86547	38AH	22	0.6
CMPTM-1292TWHT	St. Croix ACSS/TW	1467.8	33/7	1.292	86602	38AH	22	0.6
CMPTM-1300TWHT	Martin ACSS/TW	1351.5	39/19	1.300	86552	38AH	21.5	0.6
CMPTM-1302TWHT	Miramichi ACSS/TW	1455.3	36/7	1.302	86642	38AH	22	0.7
CMPTM-1334TWHT	Platte ACSS/TW	1569	33/7	1.334	86612	38AH	23	0.7
CMPTM-1337TWHT	Plover ACSS/TW	1431	39/19	1.337	86637	38AH	22	0.7
CMPTM-1340TWHT	Merrimack ACSS/TW	1433.6	39/19	1.340	86647	38AH	22	0.7
CMPTM-1345TWHT	Potomac ACSS/TW	1557.4	36/7	1.345	86617	38AH	23	0.7
CMPTM-1358TWHT	Lapwing ACSS/TW	1590	36/7	1.358	86652	40AH	23	0.7
CMPTM-1382TWHT	Rio Grande ACSS/TW	1533.3	39/19	1.382	86657	38AH	23	0.7
CMPTM-1386TWHT	Schuykill ACSS/TW	1657.4	36/7	1.386	86637	40AH	23.5	0.7
CMPTM-1408TWHT	Falcon ACSS/TW	1590	42/19	1.408	86662	40AH	23	0.7
CMPTM-1424TWHT	Pecos ACSS/TW	1622	39/19	1.424	86667	40AH	23.5	0.7
CMPTM-1427TWHT	Pee Dee ACSS/TW	1758.6	37/7	1.427	86627	40AH	24	0.7
CMPTM-1445TWHT	Chuckar ACSS/TW	1780	37/19	1.445	86672	42AH	24	0.7
CMPTM-1470TWHT	James ACSS/TW	1730.6	39/19	1.470	86677	40AH	24	0.7
CMPTM-1504TWHT	Athabaska ACSS/TW	1949.6	42/7	1.504	86682	42AH	24	0.7
CMPTM-1545TWHT	Cumberland ACSS/TW	1926.9	42/19	1.545	86687	42AH	24	0.7
CMPTM-1602TWHT	Powder ACSS/TW	2153.8	64/19	1.602	86632	44AH	24	0.8
CMPTM-1608TWHT	Bluebird ACSS/TW	2156	64/19	1.608	86692	44AH	24	0.8
CMPTM-1762TWHT	Santee ACSS/TW	2627.3	64/19	1.762	86682	48AH	26	0.8



Two Stage Compression Hardware Series for ACSS and ACSS/TW Conductors

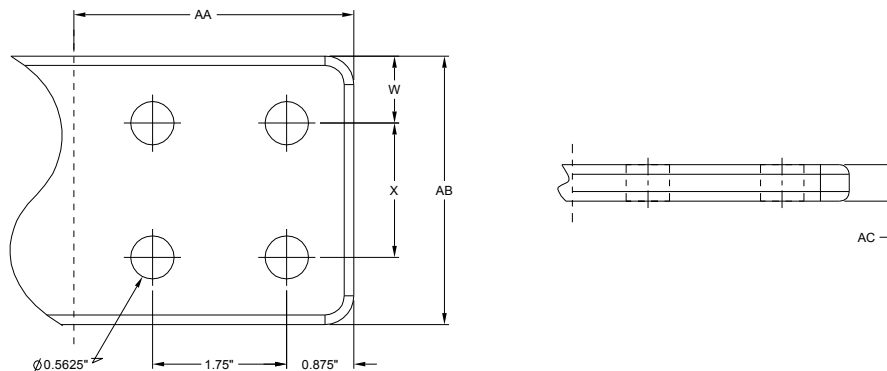
Steel Eye Dimensions and PAD Dimensions

Steel Dead-end Eye Classifications and Dimensions



Forging	A	B	C	D	E
Class 2	1.000	2.500	0.750	0.688	0.875
Class 3	1.375	2.750	0.813	0.813	1.000
Class 4	1.375	2.750	1.000	1.000	1.125
Class 5	1.375	2.750	1.125	1.125	1.313

PAD Classifications and Dimensions



Pad	W	X	AA	AB Jumper	AC Jumper	AB Dead-End	AC Dead-End
Class F	0.69	NA	3.5	3.13	0.41	3.13	0.688
Class G	0.875	1.75	3.5	3.5	0.475	3.5	0.688
Class H	0.813	1.75	3.5	3.375	0.475	3.375	0.688
Class J	1	1.75	3.5	3.75	0.6	3.75	0.688
Class K	1.188	1.75	3.5	4.125	0.6	4.125	0.688
Class L	1.063	1.75	3.5	3.875	0.6	3.875	0.688
Class M	1.063	1.75	3.5	3.875	0.71	3.875	0.688
Class N	1.063	1.75	3.5	3.875	0.71	3.875	0.792
Class P	1.094	1.75	3.5	3.938	0.81	3.938	0.792
Class Q	1.125	1.75	3.5	4	0.81	4	0.792