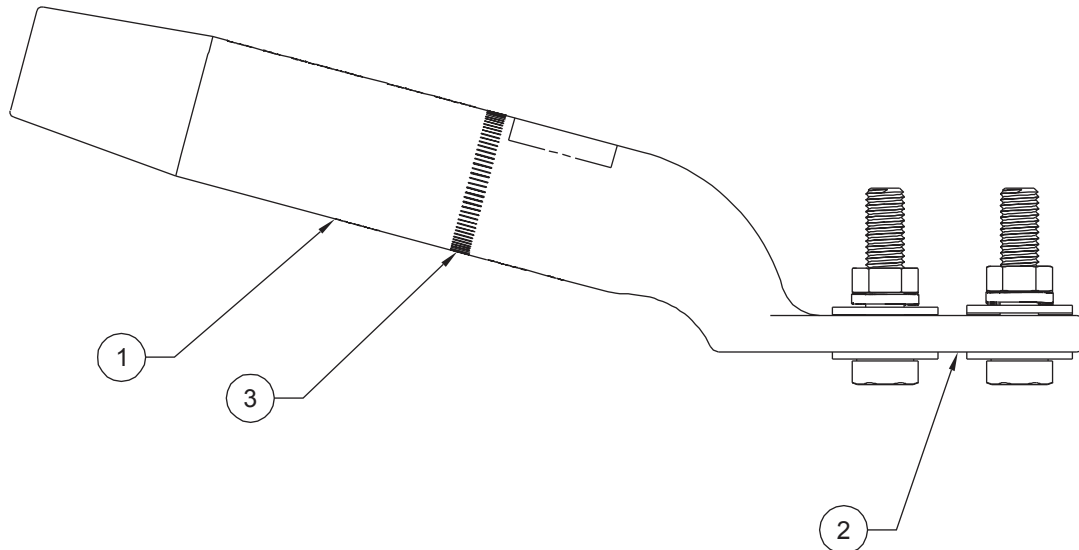


Two Stage Compression Hardware Series for ACSR Conductors

Compression Jumper Terminal – CMPTM



NOMENCLATURE

Jumpers

1. **Aluminum Jumper Body:** Aluminum body that is compressed around the OD of the conductor.
2. **Terminal Pad:** Pad utilized for attachment to the dead end.
3. **Knurl Marks:** Knurls placed on the OD of the aluminum and steel components to mark start and stop locations for compression.

GENERAL RECOMMENDATIONS

The compression jumpers are specially designed for applications on ACSR conductor only.

Compression of products can be completed with industry standard presses and dies.

GENERAL SPECIFICATIONS

Holding Strength: 40% minimum of the conductor rated breaking strength (RBS).

Designs allow for continuous conductor operating temperatures up to 125°C (150°C two hour emergency).

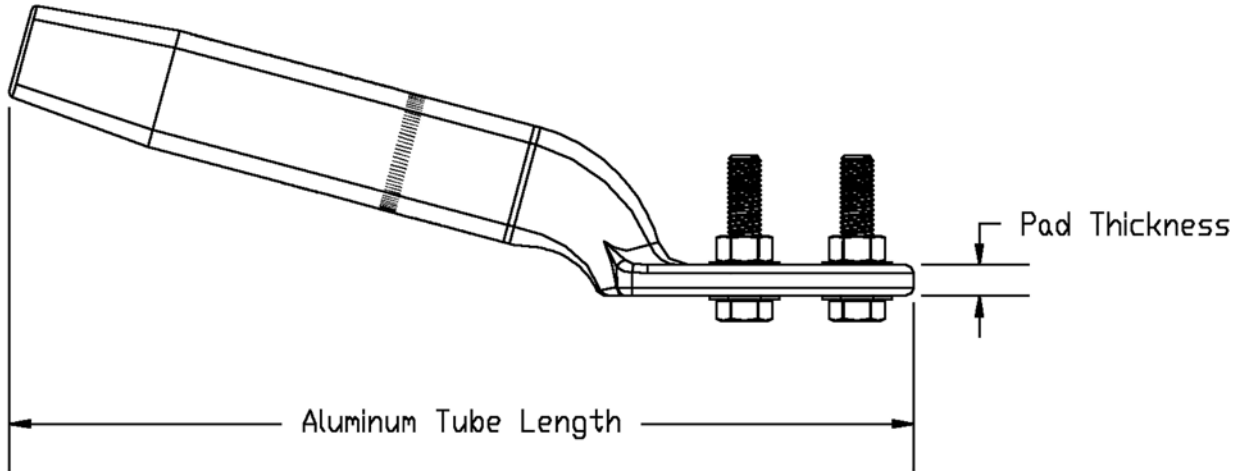
Jumper pad is constructed with a 15° angle which allows for the terminal connection of jumper and dead-end to be bolted together in a 0° or 30° configuration.

Includes: Jumper body and hardware packages which includes galvanized hardware (4 nuts, 4 bolts, 4 lock washers and 8 flat washers).



Two Stage Compression Hardware Series for ACSR Conductors

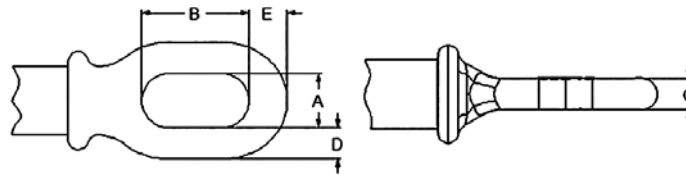
Compression Jumper Terminal – CMPTM



Terminal Assembly Catalog Number	Conductor Information				Al. Body Part No.	Al. Die Size	Dimensions		Wgt lbs	Pad Cfg.	Pad Class
	Code Word	Area kcmil	Al/St	Dia. in			Al. Tube Length in	Pad Thickness in			
CMPTM-1063	Tern	795	45/7	1.063	74195	30AH	14.3	0.5	2.5	4	G
CMPTM-1081	Redwing	715.5	30/19	1.081	74196	30AH	14.3	0.5	2.5	4	G
CMPTM-1092	Cuckoo/Condor	795	24/7,54/7	1.092	74197	30AH	14.3	0.5	2.5	4	G
CMPTM-1108	Drake	795	26/7	1.108	64893	30AH	14.3	0.5	2.5	4	G
CMPTM-1131	Ruddy	900	45/7	1.131	74198	30AH	15.1	0.5	2.6	4	H
CMPTM-1140	Skimmer/Mallard	795	30/7,30/19	1.140	74199	30AH	15.1	0.5	2.6	4	H
CMPTM-1162	Canary	900	54/7	1.162	74200	30AH	15.1	0.5	2.7	4	H
CMPTM-1165	Corncrake/Rail	954	20/7,45/7	1.165	74201	30AH	15.1	0.5	2.7	4	H
CMPTM-1196	Redbird/Cardinal	954	24/7,54/7	1.196	74202	30AH	15.3	0.5	2.7	4	H
CMPTM-1203	Snowbird	1033.5	42/7	1.203	74203	30AH	15.3	0.5	2.7	4	H
CMPTM-1212	Ortolan	1033.5	45/7	1.212	74204	34AH	15.7	0.6	3.7	4	J
CMPTM-1245	Curlew	1033.5	54/7	1.245	74205	34AH	16.0	0.6	3.8	4	J
CMPTM-1248	Canvasback	954	30/19	1.248	74206	34AH	16.0	0.6	3.8	4	J
CMPTM-1259	Bluejay	1113	45/7	1.259	74207	34AH	16.0	0.6	3.8	4	J
CMPTM-1293	Finch	1113	54/19	1.293	74208	34AH	16.1	0.6	3.6	4	J
CMPTM-1302	Bunting	1192.5	45/7	1.302	74209	34AH	16.1	0.6	3.6	4	J
CMPTM-1338	Grackle	1192.5	54/19	1.338	74210	36AH	16.5	0.6	4.2	4	K
CMPTM-1345	Bittern	1272	45/7	1.345	74211	36AH	16.5	0.6	4.2	4	K
CMPTM-1504	Lapwing	1590	45/7	1.504	74218	40AH	16.7	0.7	4.8	4	M
CMPTM-1505	Parrot	1510	54/19	1.505	74219	40AH	16.7	0.7	4.8	4	M
CMPTM-1545	Falcon	1590	54/19	1.545	74220	40AH	16.9	0.7	4.9	4	N
CMPTM-1602	Chukar	1780	84/19	1.602	74221	42AH	17.0	0.8	5.6	4	P

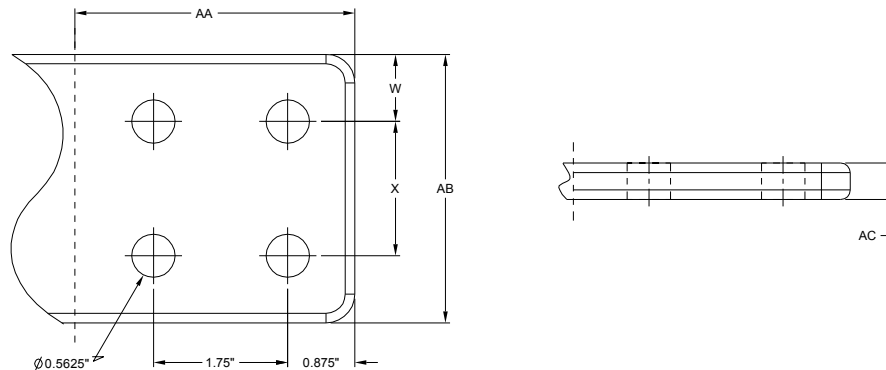
Steel Eye Dimensions and PAD Dimensions

Steel Dead-end Eye Classifications and Dimensions



Forging	A	B	C	D	E
Class 2	1.000	2.500	0.750	0.688	0.875
Class 3	1.375	2.750	0.813	0.813	1.000
Class 4	1.375	2.750	1.000	1.000	1.125
Class 5	1.375	2.75	1.125	1.125	1.313

PAD Classifications and Dimensions



Pad	W	X	AA	AB Jumper	AC Jumper	AB Dead-End	AC Dead-End
Class F	0.69	NA	3.5	3.13	0.41	3.13	0.688
Class G	0.875	1.75	3.5	3.5	0.475	3.5	0.688
Class H	0.813	1.75	3.5	3.375	0.475	3.375	0.688
Class J	1	1.75	3.5	3.75	0.6	3.75	0.688
Class K	1.188	1.75	3.5	4.125	0.6	4.125	0.688
Class L	1.063	1.75	3.5	3.875	0.6	3.875	0.688
Class M	1.063	1.75	3.5	3.875	0.71	3.875	0.688
Class N	1.063	1.75	3.5	3.875	0.71	3.875	0.792
Class P	1.094	1.75	3.5	3.938	0.81	3.938	0.792
Class Q	1.125	1.75	3.5	4	0.81	4	0.792