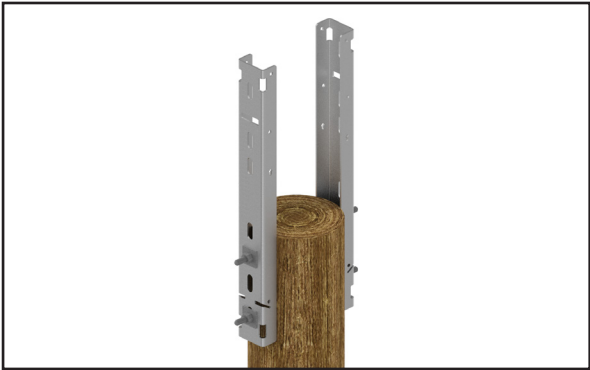
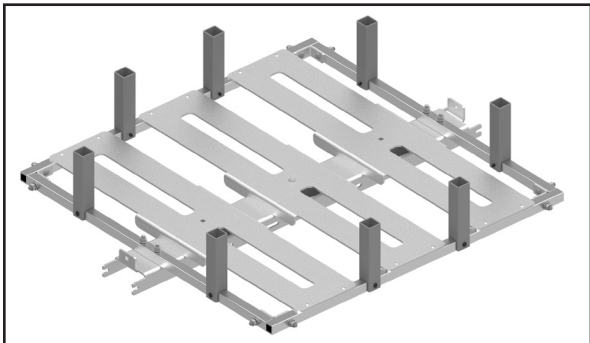
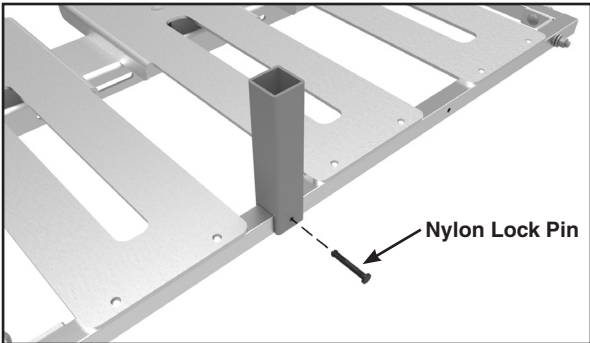


DISCLAIMER: The RAPTOR PROTECTOR™ Platform for pole top mount has an adjustable application range and can be easily installed at the top of wooden round utility poles between 7" and 12" diameter. The RAPTOR PROTECTOR Platform will fit square wooden utility poles between 6" x 6" up to 11" x 11".

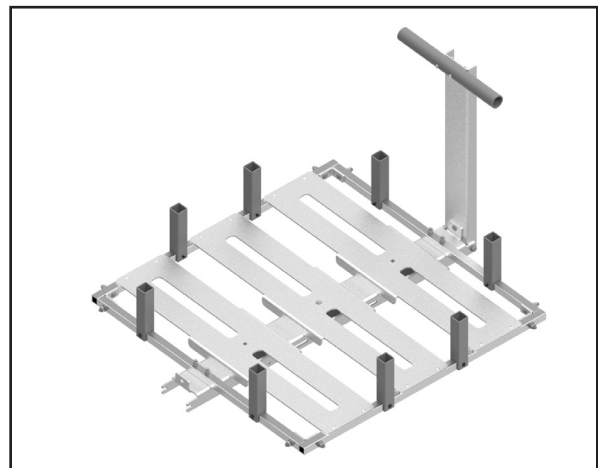
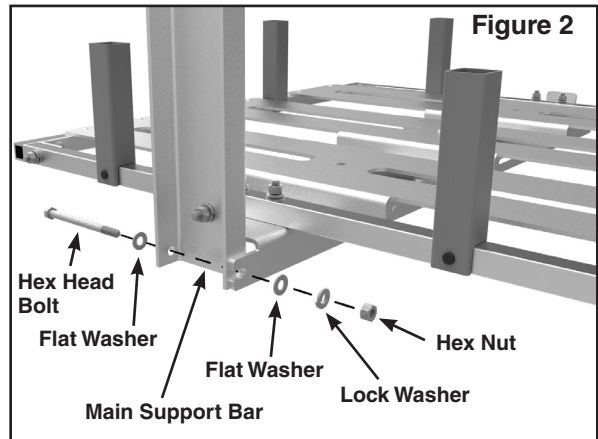
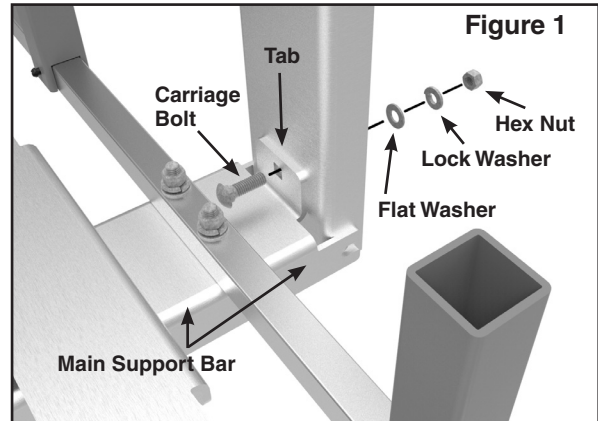
Step #1 Mount the pole top brackets to the pole using 5/8" through bolts (not supplied). Partially tighten the through bolts and leave snug until the platform is in place.



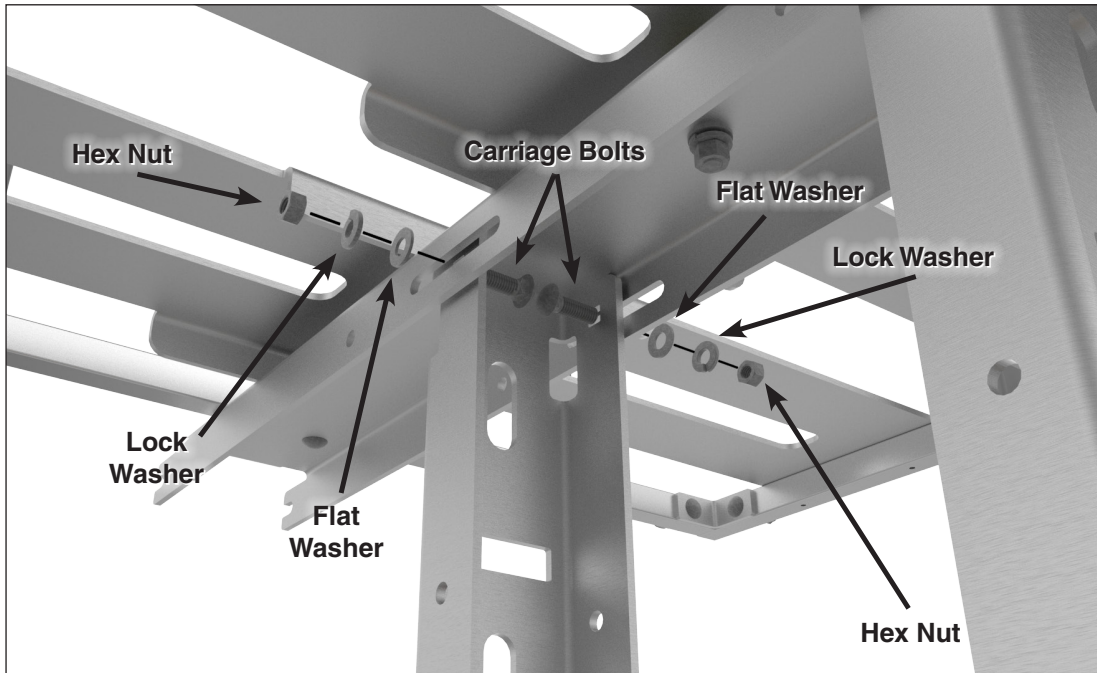
Step #2 (OPTIONAL) If using the optional nest retention posts, attach each nest retention post to the platform frame using a nylon lock pin. Push the pin all the way through the pre-drilled hole from the outside of the frame toward the inside.



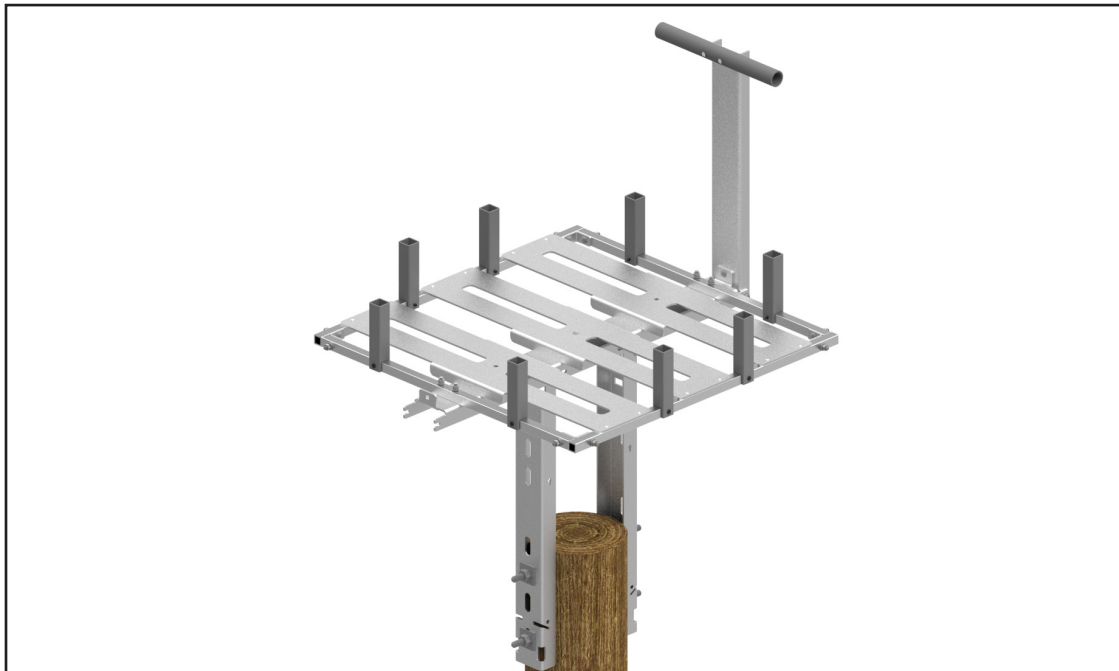
Step #3 (OPTIONAL) If using the optional perch, attach the perch to the tab of the main support bar of the platform. Secure the perch to the tab with a carriage bolt, flat washer, lock washer, and hex nut as shown in Figure 1. Secure the perch to the main support bar of the platform with a hex head bolt, lock washer, (2) flat washers, and a hex nut as shown in Figure 2.



Step #4 Secure the platform to each pole top bracket with (2) carriage bolts, (2) flat washers, (2) lock washers, and (2) hex nuts as shown below. Go back and fully tighten the 5/8" through bolts (shown in Step #1).



Step #5 Completed installation of the RAPTOR PROTECTOR™ Platform shown below.



SAFETY CONSIDERATIONS

This application procedure is not intended to supersede any company construction or safety standards. This procedure is offered only to illustrate safe application for the individual. **FAILURE TO FOLLOW THESE PROCEDURES MAY RESULT IN PERSONAL INJURY OR DEATH.**

This product may be removed and reinstalled during the initial installation if it is in good condition. After extended service life, it is recommended the product not be reused once removed from service.

Do not modify this product under any circumstances. This product must only be used as intended and as set forth in this application procedure. Failure to follow these guidelines may result in harm and/or damage, and will preclude PLP's liability thereof.

This product is intended for use by trained technicians only. **This product should not be used by anyone who is not familiar with, and not trained to use it.**

When working in the area of energized lines, extra care should be taken to prevent accidental electrical contact.

For proper performance and personal safety, be sure to select the proper size PREFORMED™ product before application.

PREFORMED products are precision devices. To insure proper performance, they should be stored in cartons under cover and handled carefully.



PREFORMED LINE PRODUCTS

P.O. Box 91129, Cleveland, Ohio 44101 • 440.461.5200 • www.preformed.com • e-mail: inquiries@preformed.com

SP3420-2