



# INSULIGN™ Guy Strain Insulators – Fiberglass

## NOMENCLATURE



## GENERAL INFORMATION

Preformed Line Products' INSULIGN Guy Strain Insulator series is intended for use with down guys or pole-to-pole guys on overhead lines. The insulative fiberglass rod electrically isolates the guy strand and provides clearance during normal operation, for maintenance crews and the public.

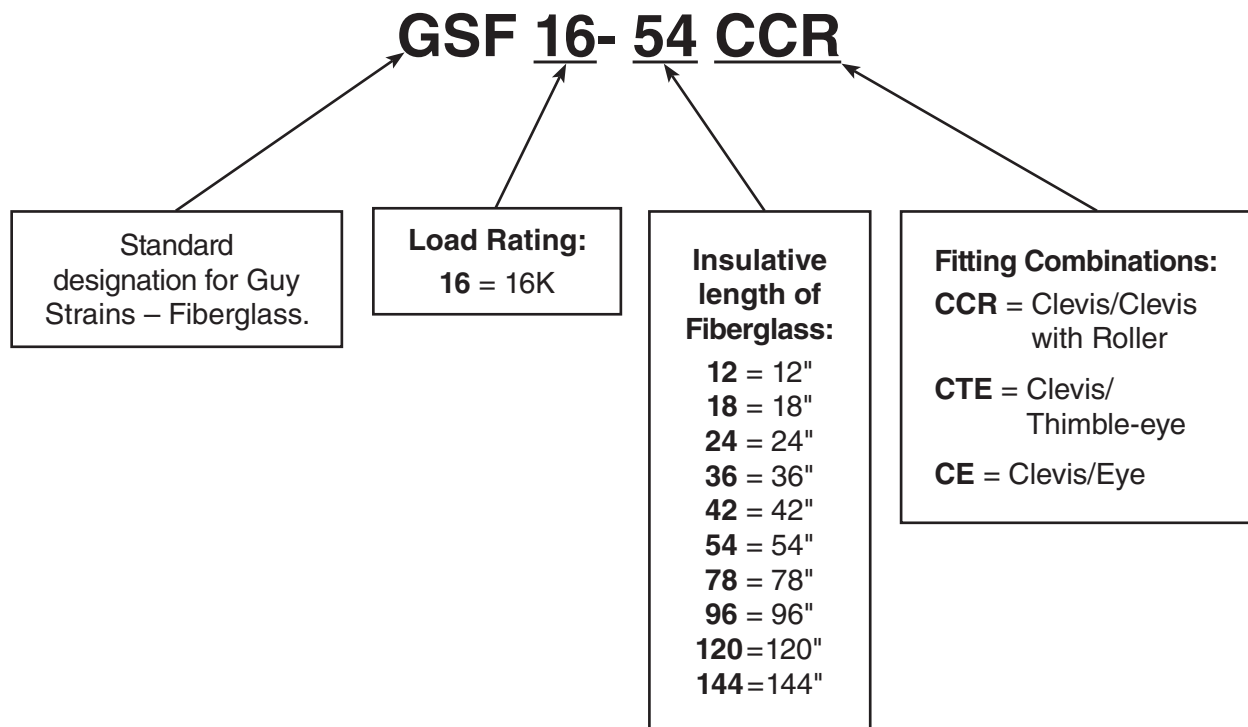
Compared to porcelain strain-type insulators, PLP's fiberglass guy strain insulators provide a greater insulative distance which minimizes the potential and severity of dry and wet flashover. INSULIGN Guy Strain Insulators provide a more durable solution compared to conventional porcelain insulators.

## SAFETY CONSIDERATIONS

1. This product is intended for a specified application. **CAUTION: DO NOT USE THIS PRODUCT BEYOND ITS WORKING LOAD LIMITS. DO NOT MODIFY THIS PRODUCT IN ANY WAY OTHER THAN SHOWN.**
2. This product is intended for use by trained craftspeople only. This product **SHOULD NOT BE USED** by anyone who is not familiar with and trained in the use of it.
3. When working in the area of energized lines with this product, **EXTRA CARE** should be taken to prevent accidental electrical contact.
4. For **PROPER PERFORMANCE AND PERSONAL SAFETY** be sure to select the proper size INSULIGN Guy Strain Insulator before application.
5. INSULIGN Guy Strain Insulators are precision devices. To insure proper performance, they should be stored in cartons under cover and handled carefully.

# INSULIGN™ Guy Strain Insulators – Fiberglass

## INSULIGN Guy Strain Insulator Ordering Instructions

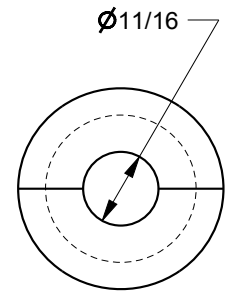
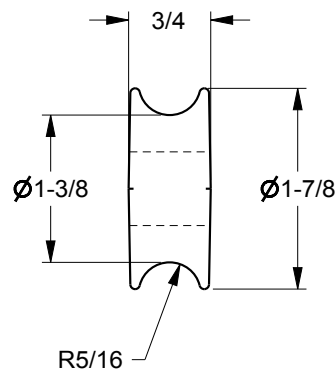
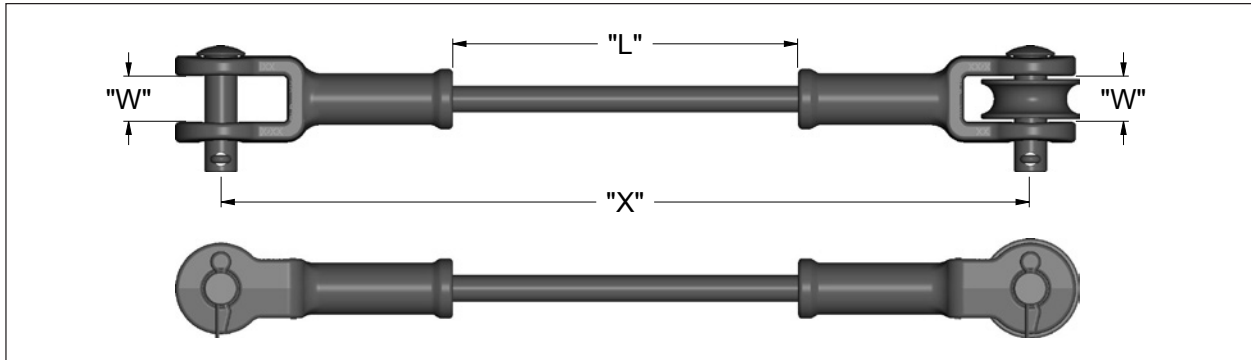


Custom lengths available,  
please contact PLP® for  
more information.



# INSULIGN™ Guy Strain Insulators – Fiberglass

## Clevis – Clevis with Roller 16,000 lb. minimum rating



| ROLLER    |          |
|-----------|----------|
| Catalog # | 72700001 |

| Minimum Ultimate Strength Rating: 16,000 lbs |                       |                       |                           |
|--|-----------------------|-----------------------|---------------------------|
| Catalog Number                               | "L" Rod Length (inch) | "X" Pin to Pin (inch) | "W" Clevis Opening (inch) |
| GSF16-12CCR                                  | 12                    | 20-3/4                | 0.85                      |
| GSF16-18CCR                                  | 18                    | 26-3/4                |                           |
| GSF16-24CCR                                  | 24                    | 32-3/4                |                           |
| GSF16-36CCR                                  | 36                    | 44-3/4                |                           |
| GSF16-42CCR                                  | 42                    | 50-3/4                |                           |
| GSF16-54CCR                                  | 54                    | 62-3/4                |                           |
| GSF16-78CCR                                  | 78                    | 86-3/4                |                           |
| GSF16-96CCR                                  | 96                    | 104-3/4               |                           |
| GSF16-120CCR                                 | 120                   | 128-3/4               |                           |
| GSF16-144CCR                                 | 144                   | 152-3/4               |                           |

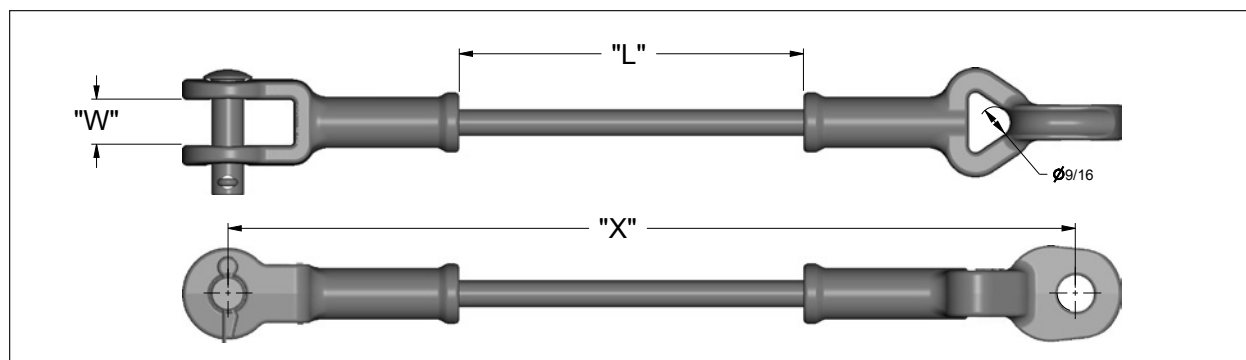
**EXPLANATORY NOTES:**

- (1) Custom lengths available, please contact PLP® for more information.
- (2) Minimum Ultimate Strength Rating - 16,000 lbs.
- (3) Clevis Pin Diameter - 5/8"

# INSULIGN™ Guy Strain Insulators – Fiberglass

## Clevis – Thimble Eye

16,000 lb. minimum rating



| Minimum Ultimate Strength Rating: 16,000 lbs |                       |                       |                           |
|--|-----------------------|-----------------------|---------------------------|
| Catalog Number                               | "L" Rod Length (inch) | "X" Pin to Pin (inch) | "W" Clevis Opening (inch) |
| GSF16-12CTE                                  | 12                    | 21-1/2                | 0.85                      |
| GSF16-18CTE                                  | 18                    | 27-1/2                |                           |
| GSF16-24CTE                                  | 24                    | 33-1/2                |                           |
| GSF16-36CTE                                  | 36                    | 45-1/2                |                           |
| GSF16-42CTE                                  | 42                    | 51-1/2                |                           |
| GSF16-54CTE                                  | 54                    | 63-1/2                |                           |
| GSF16-78CTE                                  | 78                    | 87-1/2                |                           |
| GSF16-96CTE                                  | 96                    | 105-1/2               |                           |
| GSF16-120CTE                                 | 120                   | 129-1/2               |                           |
| GSF16-144CTE                                 | 144                   | 153-1/2               |                           |

### EXPLANATORY NOTES:

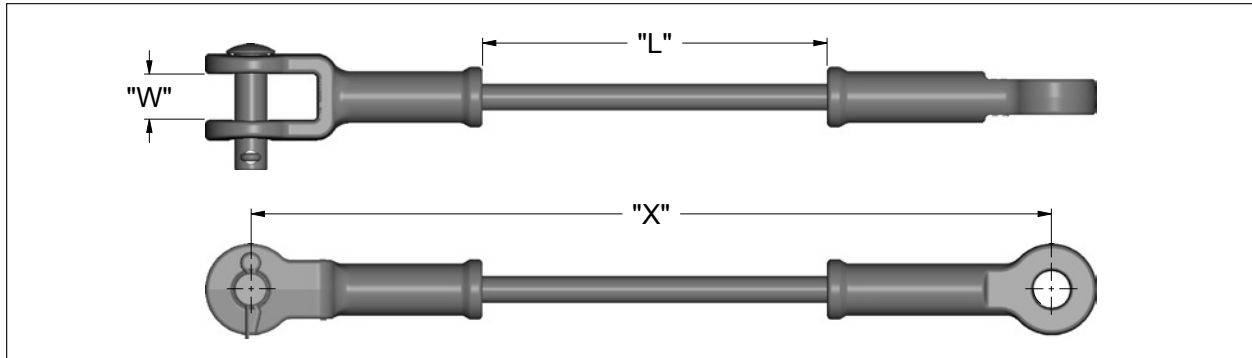
- (1) Custom lengths available, please contact PLP® for more information.
- (2) Minimum Ultimate Strength Rating - 16,000 lbs.
- (3) Clevis Pin Diameter - 5/8"



# INSULIGN™ Guy Strain Insulators – Fiberglass

## Clevis – Eye

16,000 lb. minimum rating



| Minimum Ultimate Strength Rating: 16,000 lbs |                       |                       |                           |
|--|-----------------------|-----------------------|---------------------------|
| Catalog Number                               | "L" Rod Length (inch) | "X" Pin to Pin (inch) | "W" Clevis Opening (inch) |
| GSF16-12CE                                   | 12                    | 20-5/8                | 0.85                      |
| GSF16-18CE                                   | 18                    | 26-5/8                |                           |
| GSF16-24CE                                   | 24                    | 32-5/8                |                           |
| GSF16-36CE                                   | 36                    | 44-5/8                |                           |
| GSF16-42CE                                   | 42                    | 50-5/8                |                           |
| GSF16-54CE                                   | 54                    | 62-5/8                |                           |
| GSF16-78CE                                   | 78                    | 86-5/8                |                           |
| GSF16-96CE                                   | 96                    | 104-5/8               |                           |
| GSF16-120CE                                  | 120                   | 128-5/8               |                           |
| GSF16-144CE                                  | 144                   | 152-5/8               |                           |

**EXPLANATORY NOTES:**

- (1) Custom lengths available, please contact PLP® for more information.
- (2) Minimum Ultimate Strength Rating - 16,000 lbs.
- (3) Clevis Pin Diameter - 5/8"

# INSULIGN™ Guy Strain Insulators – Fiberglass

## Hardware

16,000 lb. minimum rating

