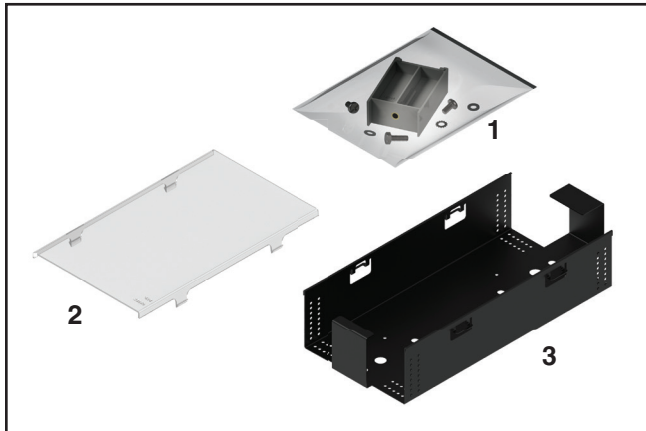




# COYOTE® HD Dome Transition Tray Kit for 864 Expressed Applications

(For use only in the COYOTE Dome Closure 9.5" x 28" for High-Density Applications)

Be sure to read and completely understand this procedure before applying product. Be sure to select the proper PREFORMED™ product before application.

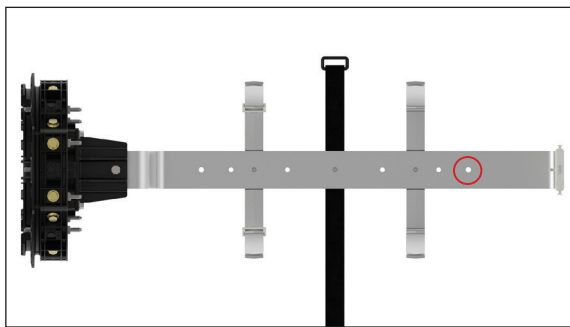


### NOMENCLATURE

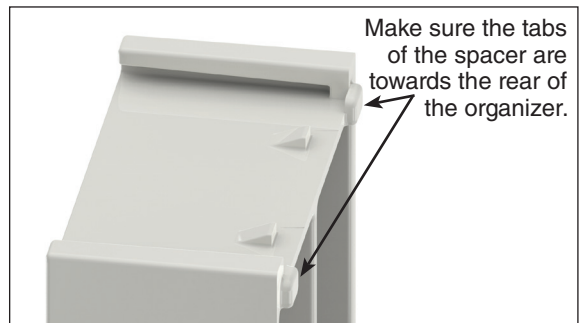
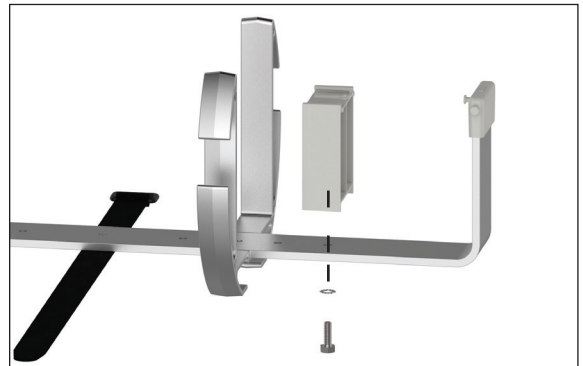
- 1. Small Parts Bag (1)
- 2. Transition Tray Cover (1)
- 3. COYOTE HD Dome Deep Transition Tray (1)

## SPACER INSTALLATION

**Step #1** Locate the correct hole location to attach the spacer to the organizer bar as shown below.

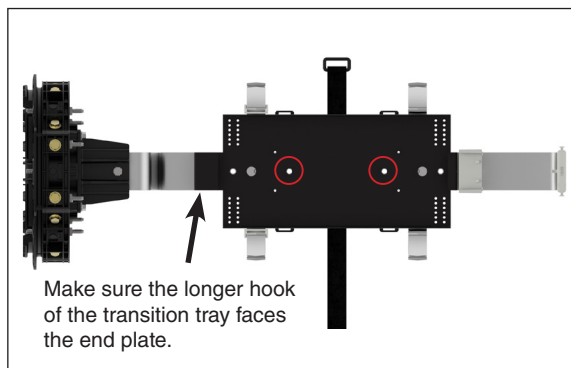
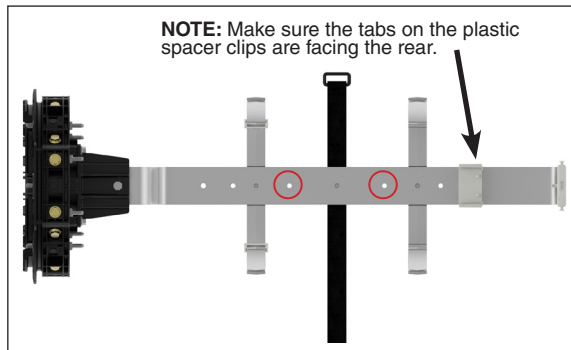


**Step #2** Secure the spacer to the organizer bar with the 1/4" lock washer and 1/4"-20 x 3/4" hex head bolt.

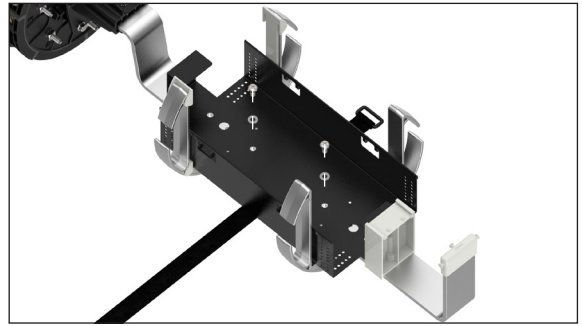


## TRANSITION TRAY INSTALLATION

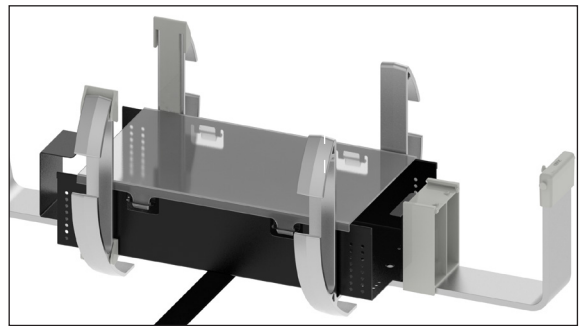
**Step #3** Locate the correct hole locations to attach the transition tray to the organizer bar and align the holes as shown below.



**Step #4** Secure the transition tray to the organizer bar with the 1/4" nylon washers and 1/4"-20 x 1/2" pan head bolts.



**Step #5** Install the transition tray cover on the transition tray by snapping the tabs of the cover into the slots of the transition tray.



## SAFETY CONSIDERATIONS

This application procedure is not intended to supersede any company construction or safety standards. This procedure is offered only to illustrate safe application for the individual. **FAILURE TO FOLLOW THESE PROCEDURES MAY RESULT IN PERSONAL INJURY OR DEATH.**

**Do not modify this product under any circumstances.**

This product is intended for use by trained technicians only. **This product should not be used by anyone who is not familiar with, and not trained to use it.**

When working in the area of energized lines, extra care should be taken to prevent accidental electrical contact.

For proper performance and personal safety, be sure to select the proper size PREFORMED™ product before application.

PREFORMED products are precision devices. To ensure proper performance, they should be stored in cartons under cover and handled carefully.



# PREFORMED LINE PRODUCTS

P.O. Box 91129, Cleveland, Ohio 44101 • 440.461.5200 • [preformed.com](http://preformed.com) • email: [inquiries@preformed.com](mailto:inquiries@preformed.com)