

## COYOTE® HD Dome Closure

The **COYOTE HD (High-Density) Dome Closure** offers an alternative fiber organizer to support high-density splice applications within the same footprint as PLP's existing 9.5" x 28" COYOTE Dome Closure. The new organizer architecture provides open access for fiber routing, reduces cable sheath openings, and simplifies assembly: all factors that save you time and money. When combined with PLP's patented segmented end plate design, the closure system offers the ultimate level of flexibility to address your complex network needs.

### Features and Benefits

- Maximum Splice Capacity of 1728 or 3456 depending on cable construction
- 7-Port segmented end plate design provides independent access to each cable port without disrupting surrounding cables
- Two splice tray designs to support mass fusion splicing, single fusion, or a combination of both
- Modular tray design permits trays to hinge upward or be removed from the stack to allow multiple splicers to work simultaneously
- Grommet range now accepts fiber optic cable entry of up to 1.38" in diameter
- Designed and tested in accordance to Telcordia® GR-771-CORE Buried, Underground, IP-68 Rated Requirement

## ▶ COYOTE® HD Dome Closure for Ribbon Applications

| Specifications   | WITHOUT Slack Basket  | WITH Slack Basket   |
|--|---|---|
| <b>Catalog Number</b>  | <b>80061406<sup>1</sup>, 80061408<sup>2</sup></b>                   | <b>80061407<sup>1</sup>, 80061409<sup>2</sup></b>                   |
| Splice Capacity (Maximum) – Single Fusion (Thin, 80813123), Ribbon (Thin, 80813122), Ribbon (Deep, 80813121) | 864, 3456 <sup>3</sup> , 1728                                       | 576, 2304 <sup>3</sup> , 1152                                       |
| Number of Splice Trays – 80813123, 80813122 <sup>3</sup> , 80813121  | 12, 12, 6   | 8, 8, 4   |
| Cable Ports <sup>4</sup>   | 7   | 7   |
| Cable Diameters <sup>5</sup>   | 0.093" – 1.38" (2.4 – 35.0 mm) and Flat Drop                        | 0.093" – 1.38" (2.4 – 35.0 mm) and Flat Drop                        |
| Ground Studs   | 7   | 7   |
| Configuration  | Butt  | Butt  |
| Application  | Direct Bury, Below Grade, Pole/Wall, Aerial                         | Direct Bury, Below Grade, Pole/Wall, Aerial                         |
| Ingress Protection   | In accordance to Telcordia® GR-771-CORE, Buried, Underground; IP-68 | In accordance to Telcordia® GR-771-CORE, Buried, Underground; IP-68 |
| Size <sup>6</sup>  | 13.3" W x 29.4" L (338 x 747 mm)                                    | 13.3" W x 29.4" L (338 x 747 mm)                                    |

<sup>1</sup> Kits for cable diameters less than 1.25" (31.8 mm)

<sup>2</sup> Kits for cable diameters greater than 1.25" (31.8 mm)

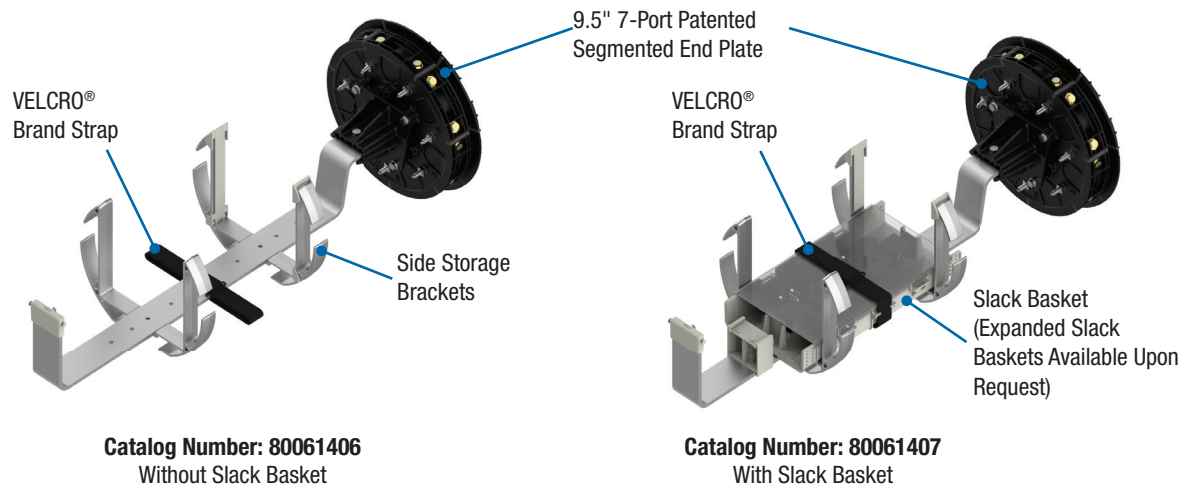
<sup>3</sup> The 80813122 thin-profile splice tray can only be used for cables that contain SpiderWeb Ribbon (SWR®) – AFL, Rollable Ribbon (RR) – OFS, Pliable Ribbon – Sumitomo, or FlexRibbon™ – Prysmian

<sup>4</sup> Multi-hole grommets allow for more than one cable to enter each cable port.

<sup>5</sup> Cables with diameters larger than 1.25" can only be used in end plate port numbers 3 and 6.

<sup>6</sup> Outermost part of the assembly; includes the sealing collar.

## ▶ COYOTE HD Dome Closure Ribbon Organizer Assemblies



### COYOTE HD Dome Closure Kit Contents for Ribbon Applications

| Catalog Number | Description  |
|----------------|--|
| 80061406       | COYOTE HD Dome Closure for Ribbon – Includes (2) 1-Hole Grommets 0.85" – 1.00" (21.6 – 25.4 mm) and (2) 1-Hole Grommets 1.00" – 1.25" (25.4 – 31.8 mm)   |
| 80061407       | COYOTE HD Dome Closure with Transition Tray for Ribbon – Includes (2) 1-Hole Grommets 0.85" – 1.00" (21.6 – 25.4 mm), (2) 1-Hole Grommets 1.00" – 1.25" (25.4 – 31.8 mm), and (1) 6-Pack, 36" long of 0.25" ID Transition Tubing |
| 80061408       | COYOTE HD Dome Closure for Ribbon – Includes (2) 1-Hole Grommets 1.00" – 1.25" (25.4 – 31.8 mm) and (2) 1-Hole Grommets 1.25" – 1.38" (31.8 – 35.0 mm)   |
| 80061409       | COYOTE HD Dome Closure with Transition Tray for Ribbon – Includes (2) 1-Hole Grommets 1.00" – 1.25" (25.4 – 31.8 mm), (2) 1-Hole Grommets 1.25" – 1.38" (31.8 – 35.0 mm), and (1) 6-Pack, 36" long of 0.25" ID Transition Tubing |

All kits include (1) COYOTE HD End Plate Organizer, (1) Dome, (1) Gasket, (1) Collar, (4) 1-Hole Grommets, (1) 12-Pack of 16" Long 0.50" ID Spiral Tubing, and Cable Restraint Hardware.

Telcordia® is a registered trademark of Telcordia Technologies, Inc., now part of Ericsson.

VELCRO® Brand is a registered trademark of Velcro BVBA.

©2019 Preformed Line Products CO-CA-1004-10

## ▶ COYOTE® HD Dome Closure for Buffer Tube Applications

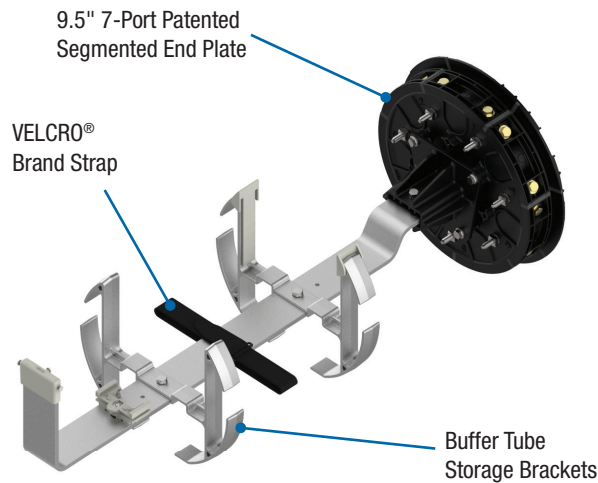
### Specifications

|   |   |
|---|---|
| <b>Catalog Numbers</b>  | <b>80061488</b>   |
| Splice Capacity (Maximum) – Single Fusion (Thin, 80813123, 72 ct.), Single Fusion (Thin, 80813301, 108 ct.) | 576, 864  |
| Number of Splice Trays – 80813123, 80813301   | 8, 8  |
| Cable Ports <sup>1</sup>  | 7   |
| Cable Diameters   | 0.093" – 1.25" (2.4 – 31.8mm) and Flat Drop                         |
| Ground Studs  | 7   |
| Configuration   | Butt  |
| Application   | Direct Bury, Below Grade, Pole/Wall, Aerial                         |
| Ingress Protection  | In accordance to Telcordia® GR-771-CORE, Buried, Underground; IP-68 |
| Size <sup>2</sup>   | 13.3" W x 29.4" L (338 x 747mm)                                     |

<sup>1</sup> Multi-hole grommets allow for more than one cable to enter each cable port.

<sup>2</sup> Outermost part of the assembly; includes the sealing collar.

## ▶ COYOTE HD Dome Closure Buffer Tube Organizer Assembly



**Catalog Number: 80061488**  
Buffer Tube

### COYOTE HD Dome Closure Kit Contents for Buffer Tube Applications

| Catalog Number | Description  |
|----------------|--|
| 80061488       | COYOTE HD Dome Closure for Single Fusion – Includes (1) COYOTE HD End Plate Organizer, (1) Dome, (1) Gasket, (1) Collar, (2) 1-Hole Grommets 0.60" – 0.85" (15.2 – 21.6 mm), (2) 1-Hole Grommets 0.85" – 1.00" (21.6 – 25.4 mm) and Cable Restraint Hardware |

All kits include (1) COYOTE HD End Plate Organizer, (1) Dome, (1) Gasket, (1) Collar, (4) 1-Hole Grommets, and Cable Restraint Hardware

## ▶ COYOTE® HD Dome Closure Accessories and Mounting Brackets

### COYOTE HD Dome Closure Accessories

| Catalog Number | Description   |
|----------------|---|
| 80813121       | Deep Profile Ribbon Flip Tray, 288 CT.  |
| 80813122       | Thin Profile Ribbon Flip Tray, 288 CT.  |
| 80813123       | Thin Profile Single Fusion Flip Tray, 72 CT.  |
| 80813301       | Thin Profile Single Fusion Flip Tray, 108 CT.   |
| 8004160        | Heat Shrink Splice Protector Kit – Includes (50) 40 mm Mass Fusion  |
| 8004095        | Heat Shrink Splice Protector Kit – Includes (50) 40 mm Single Fusion  |
| 8003717        | Heat Shrink Splice Protector Kit – Includes (50) 60 mm Single Fusion  |
| 80813267       | Deep Slack Basket (2.85" Deep) Kit for up to 864 Expressed Ribbon Applications. For the COYOTE HD (High-Density) Dome Closure Only. |
| 80061500       | Breakout Kit for Unitube Ribbon Applications  |
| COYEFPFX1      | End Plate Fixture Assembly for 6.5" and 9.5" Domes  |
| 8003839        | End Plate Kit for 9.5" Domes  |
| 80812608       | End Plate Gasket for 9.5" Domes   |
| 80808528-1     | Latching Collar for 9.5" Domes  |
| 80061201       | Breakaway Bonding Plate for 9.5" Domes  |
| 80809205       | Strength Member Bracket Kit – Includes (2) Short L-Brackets   |
| 800015236      | Strength Member Bracket Kit – Includes (3) Long L-Brackets and (3) Hose Clamps  |
| 80808651       | Strength Member Bracket Kit – Includes (4) Long L-Brackets  |
| 80013361       | Extended Strength Member Bracket Kit for Large Central Strength Members - Includes (2) Long L-Brackets and Lugs                     |
| 80813124       | Splice Tray Locking Pin Kit – Includes (5) Tray Locking Pins  |
| 80813125       | Splice Tray Tether Kit – Includes (6) Splice Tray Tether Straps   |
| 80812618       | Pack of (4) 18" Long Pieces of 0.25" ID Tubing  |
| 80807991       | 100' Roll of 0.25" ID Tubing  |
| 80812881       | 100' Roll of 0.50" ID Spiral Wrap Tubing  |
| 8004154        | 125' Spool of Braided Expandable Sleeving, 3/8" Diameter, Blue  |
| 8004155        | 125' Spool of Braided Expandable Sleeving, 3/8" Diameter, Orange  |
| 8004156        | 125' Spool of Braided Expandable Sleeving, 3/8" Diameter, Green   |
| 8004157        | 125' Spool of Braided Expandable Sleeving, 3/8" Diameter, Brown   |
| 8004158        | 125' Spool of Braided Expandable Sleeving, 3/8" Diameter, Slate   |
| 8004159        | 125' Spool of Braided Expandable Sleeving, 3/8" Diameter, White   |
| 8004167        | 100' Spool of Split Braided Wrap, 3/8" Diameter, White  |
| 8004168        | 100' Spool of Split Braided Wrap, 3/8" Diameter, Black  |
| 80813518       | Wire Loom Insertion Tool - used for installing Split Braided Wrap   |

### COYOTE HD Dome Closure Mounting Brackets

| Catalog Number | Description   |
|----------------|---|
| 8003940        | Aerial Mounting Bracket – Strand Applications                   |
| 8004035        | Aerial Adjustable Offset Mounting Bracket – Strand Applications |
| 8003833        | Aerial Mounting Bracket – ADSS Applications                     |
| 8004036        | Aerial Adjustable Offset Mounting Bracket – ADSS Applications   |
| 8003702        | Pole/Wall Mounting Bracket                                      |
| 8003835        | Universal Mounting Bracket Kit for Handhole Applications        |
| 8003707        | Swing Arm for Handhole Applications                             |
| 8004003        | Manhole Support   |