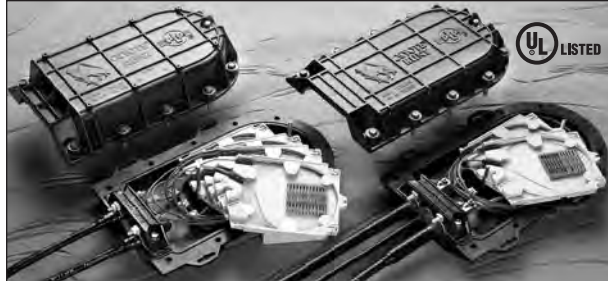




COYOTE® RUNT Closure

Refinement of the Breed...



COYOTE RUNT Closures

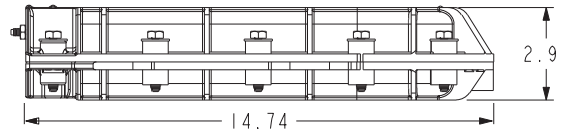
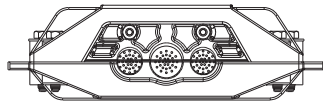
The COYOTE RUNT Closure was specifically designed for fiber distribution networks. The small compact size of the COYOTE RUNT Closures make them an ideal fit for smaller hand holes and pedestals in the last fiber mile.

Key Features:

- **Compact Size:** 14.75" L x 8.5" W x 3" H (37.5 cm x 21.6 cm x 7.6 cm)
- **Expanded Size:** 14.75" L x 8.5" W x 4.75" H (37.5 cm x 21.6 cm x 10.8 cm)
- **Port Quantity:** 3 entrance ports; (2) 3/4" (19 mm) port and (1) 1" (25 mm) port
- **Splice Capacity:** STD: 36 Single Fusion
72 Ribbon/Mass Fusion
Expanded: 72 Single Fusion
144 Ribbon/Mass Fusion
- **Application:** Loose tube or ribbon fiber applications
- Size allows for mounting in small pedestals and hand holes
- Provided with LOCK-TAPE™ Sealing System
- Accepts a wide variety of grommets for multi drop applications – See grommet chart in COYOTE Closure End Plate and Accessories section
- Permanent neoprene gasket system requires no re-entry kits
- Future cable ports provide capability for future cable installation without end plate removal
- Standard cover can be replaced with expanded to increase splice capacity
- Integrated air valve to verify integrity of final assembly
- **UL Approved and RUS Listed**
- Tested in accordance to Telcordia GR-771 CORE

COYOTE RUNT & Expanded COYOTE RUNT Closure	
Catalog Number	Description
COYOTE RUNT Closure Kits	
8006671	COYOTE RUNT Closure Kit, Includes LOCK-TAPE™ Sealant, Bond Brackets and transport tubing
8006794	Expanded COYOTE RUNT Closure Kit, Includes LOCK-TAPE Sealant, Bond Brackets and transport tubing
8006692	RUS Listed COYOTE RUNT Closure Kit, Includes LOCK-TAPE Sealant, Bond Brackets and transport tubing
800011397	COYOTE RUNT Closure for Copper Application
8006916	Expanded COYOTE RUNT Cross Connect
Accessory Kits	
8003407	Future Cable Port Kit. Includes 1" port, plug and clamps
8003291	Future Cable Port Installation Kit. Includes LOCK-TAPE sealant, bead sealant and L-bracket for preparation of future cable up to 1" in diameter
8003408	Future Cable Port/Installation kit. Complete kit includes catalog nos. 8003407 and 8003291
80806037	3/4" Plug kit (contains 2 plugs)
80806038	1" Plug kit (contains 2 plugs)
80806112	Transport tube kit, contains 4 tubes
8003574	Shell expansion kit includes Expanded top shell and longer studs to increase tray capacity
Installation Materials	
80805238	C-Cement, 1 oz. Tube
80805925	LOCK-TAPE Sealant, 1" W x 15' L (0.254 m x 42.6 m) roll
Bonding Accessories	
80803989	Fiber Optic Shield Connector (1 per kit) 3M#4460-F/FO
8003281	External Bonding Clip
Mounting Hardware Kits	
8003467	Aerial Hanger Bracket
8003470	Manhole Support Bracket
8003523	Wall Mount Bracket
8003571	Universal Wall/Pole Mount Bracket

See pages 1-4 and 1-5 for Trays and Splice information.

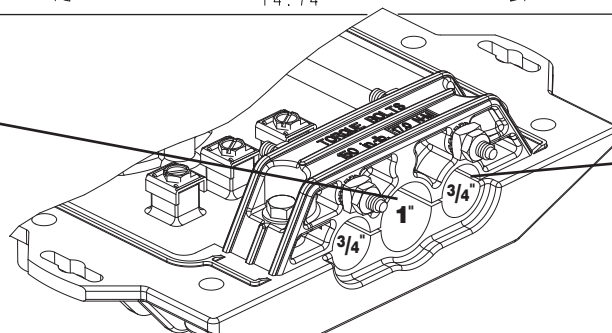


COYOTE RUNT End Plate

1" (25 mm) Ports

Available options:

- Cables up to 1.0" (25 mm) in diameter
- Future Cable Port, 0.81" (21 mm) max. cable diameter
- See Grommet table
- 1" Plug Kit (80806038)



Two 3/4" (19 mm) Ports

Available options:

- Cables up to 0.75" (19 mm) in diameter
- See Grommet table
- 3/4" Plug (80806181) Two/Kit