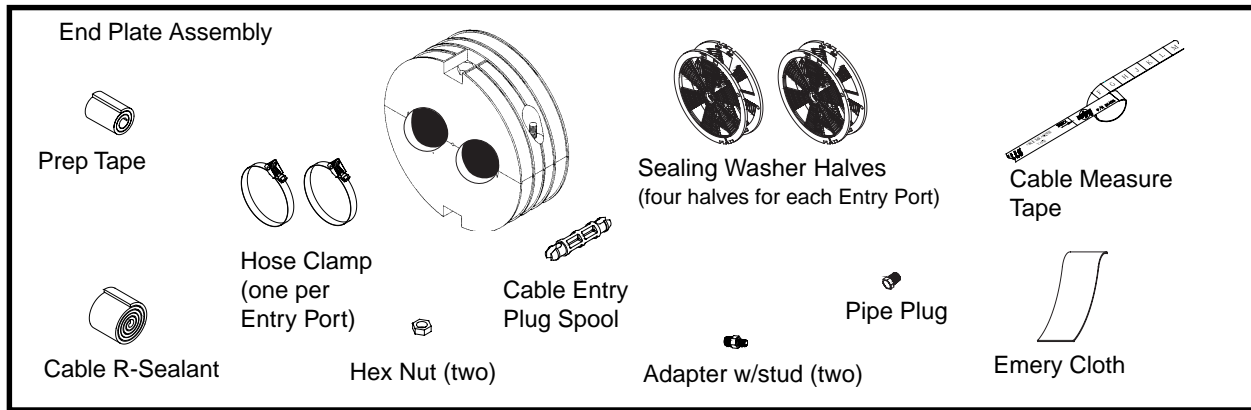


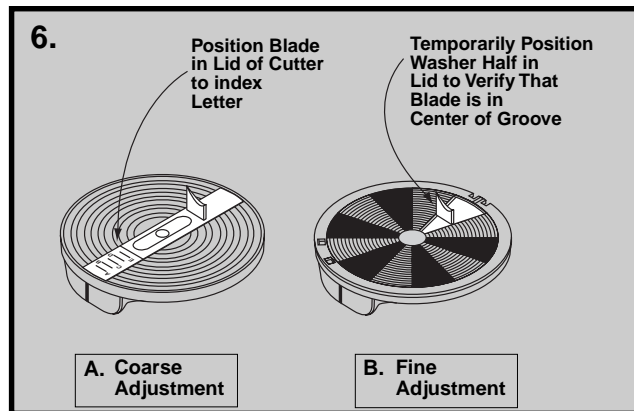
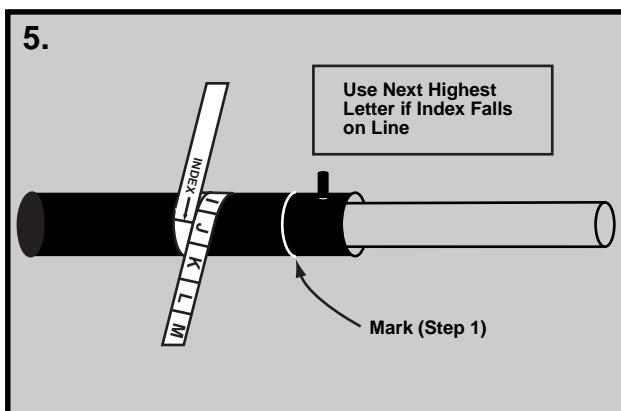
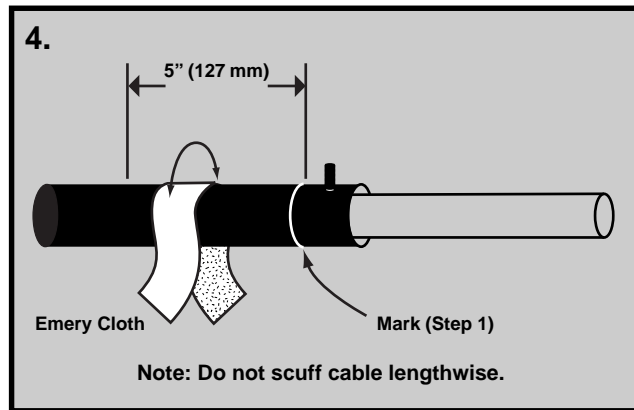
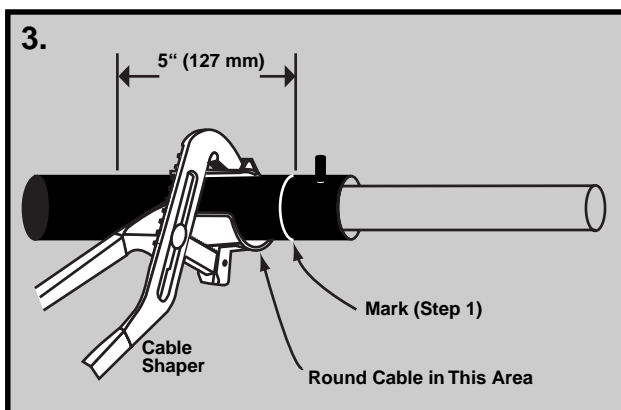
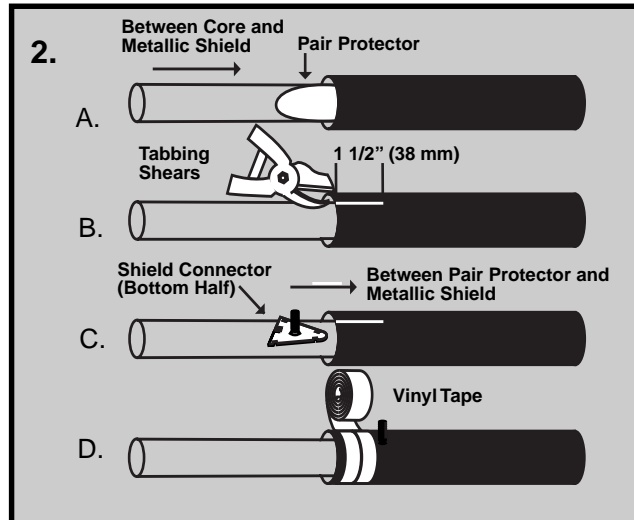
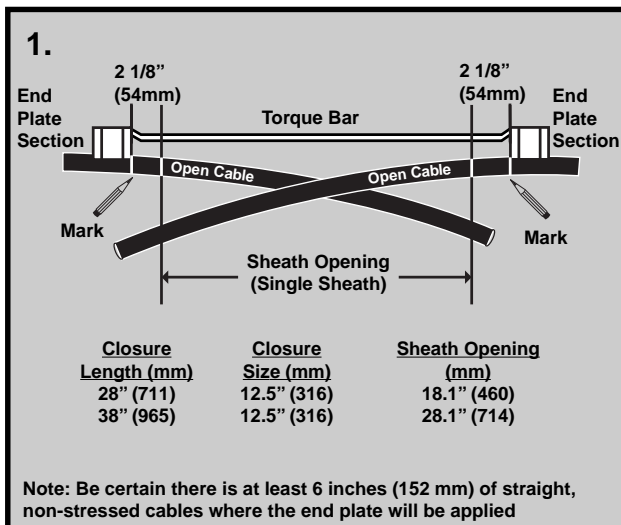


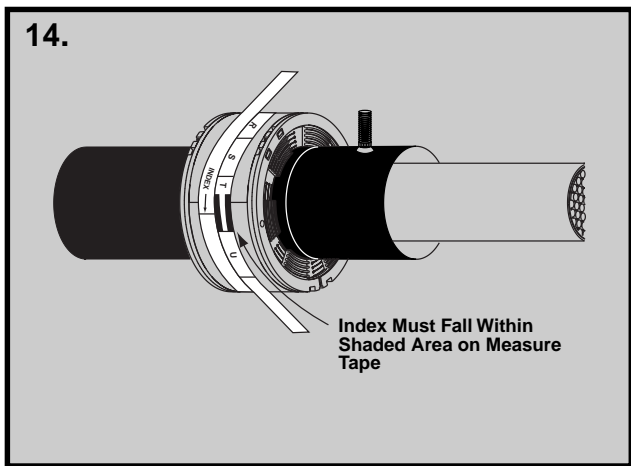
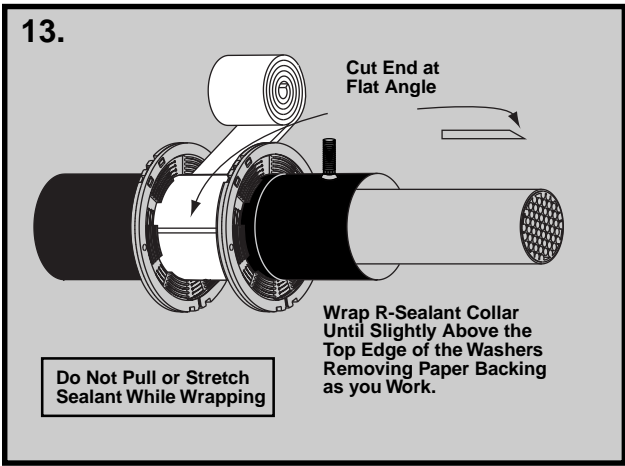
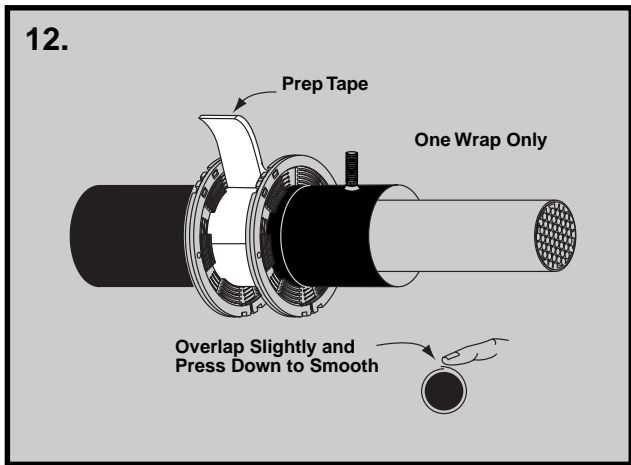
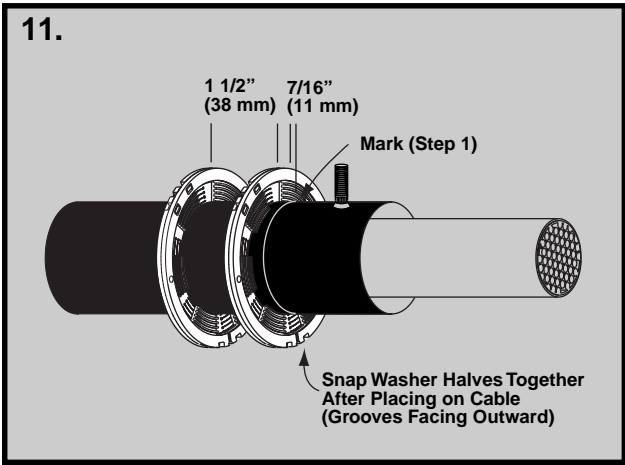
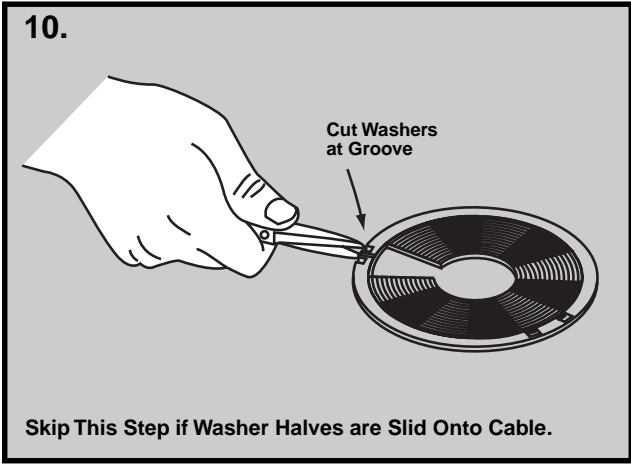
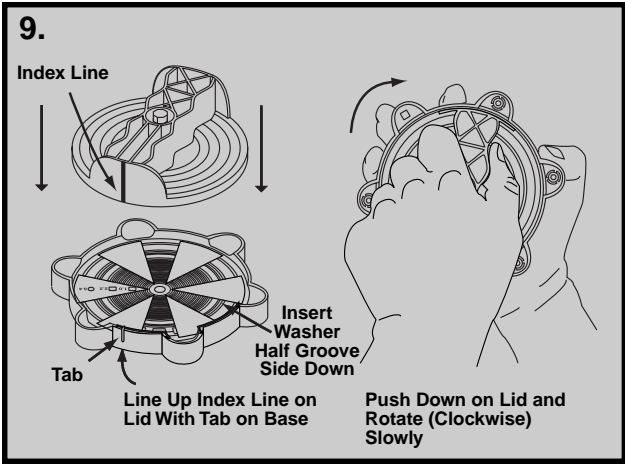
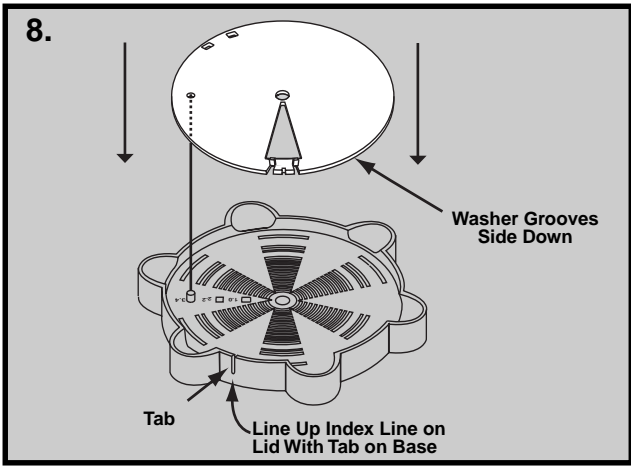
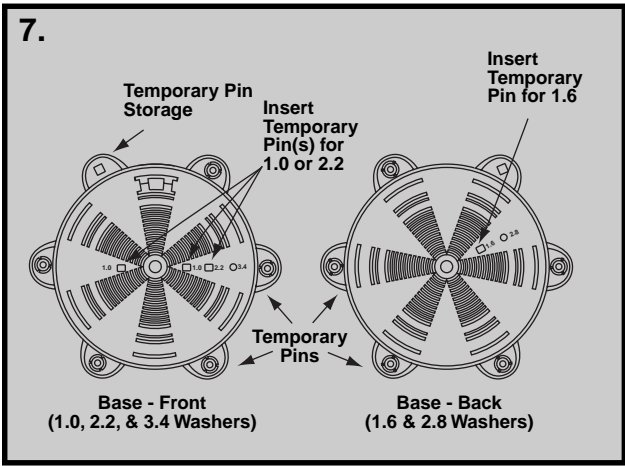
**NOMENCLATURE**



**APPLICATION**

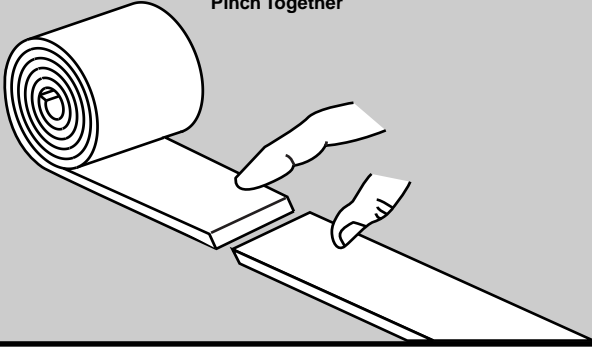
\* Supplied with 2-port and 3-port End Plate Kits





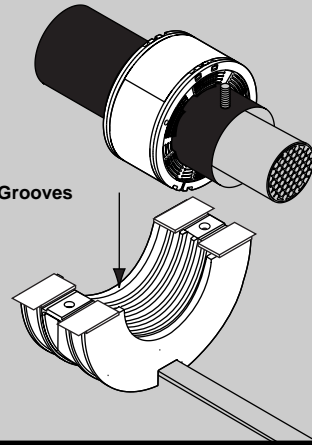
15.

If Cable R-Sealant Must be Added,  
Cut Ends at Opposite Angles and  
Pinch Together



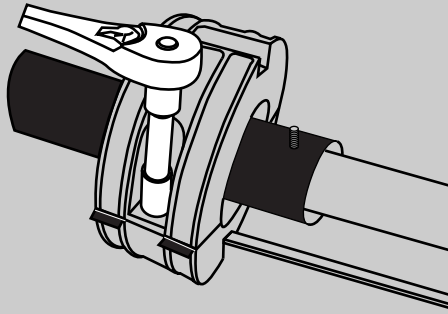
16.

Washers Seat in Grooves

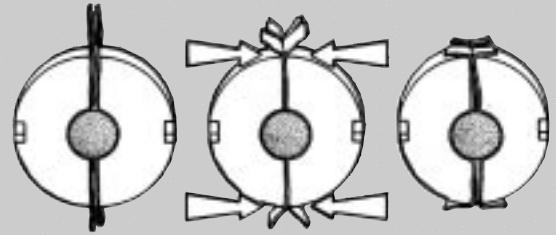


17.

Tighten End Plate Bolt Evenly Until Mating  
Surfaces are in Contact



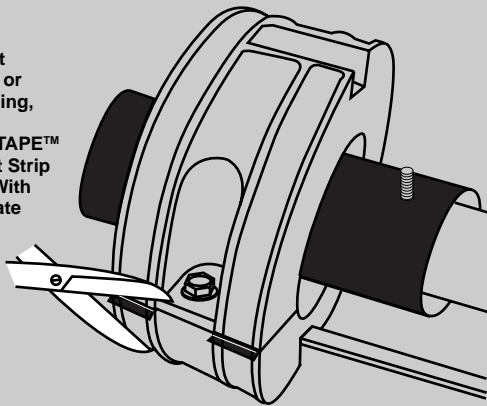
18.



Using a ratchet wrench, draw the End Plate  
halves together evenly until the excess LOCK-  
TAPE™ Sealant separates and lays back.

19.

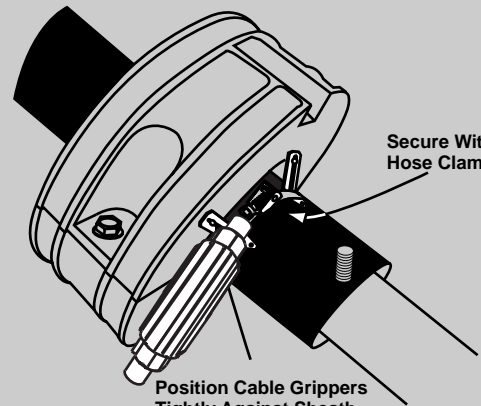
Without  
Pulling or  
Stretching,  
Trim  
LOCK-TAPE™  
Sealant Strip  
Flush With  
End Plate



20.

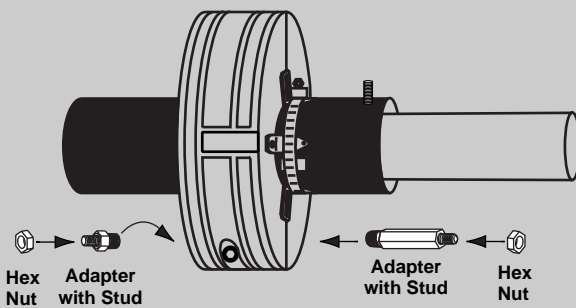
Secure With  
Hose Clamp

Position Cable Grippers  
Tightly Against Sheath



21.

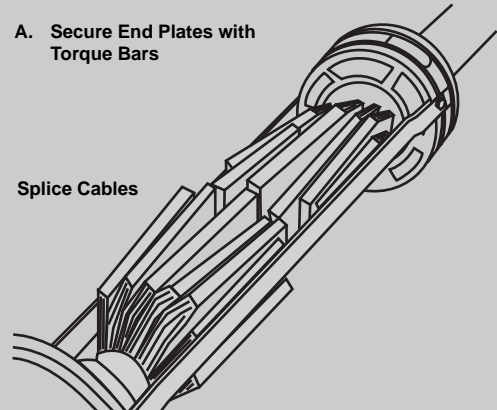
For Bonding Through the End Plate



22.

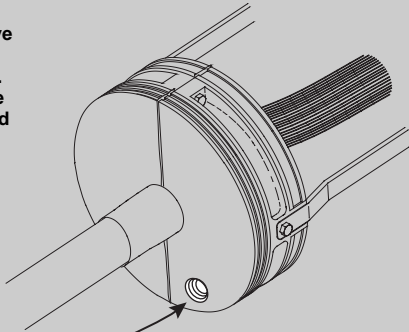
A. Secure End Plates with  
Torque Bars

B. Splice Cables



**23.**

Install an "F" Valve  
(not supplied) to  
flash test closure.  
Remove "F" Valve  
after flash test and  
install plug  
(provided)



Air Valve Insert

#### **SAFETY CONSIDERATIONS**

1. This application procedure is not intended to supersede any company construction or safety standards. This procedure is offered only to illustrate safe application for the individual. **CAUTION: FAILURE TO FOLLOW THESE PROCEDURES AND RESTRICTIONS MAY RESULT IN PERSONAL INJURY OR DEATH.**
2. This product is intended for the specified application. **CAUTION: DO NOT MODIFY THIS PRODUCT UNDER ANY CIRCUMSTANCES.**
3. This product is intended for use by trained craftspeople only. This product **SHOULD NOT BE USED** by anyone who is not familiar with and trained in the use of it.
4. When working in the area of energized lines with this product, **EXTRA CARE** should be taken to prevent accidental electrical contact.
5. For **PROPER PERFORMANCE AND PERSONAL SAFETY** be sure to select the proper size **PREFORMED™** products before application.
6. **PREFORMED™** products are precision devices. To insure proper performance, they should be stored in cartons under cover and handled carefully.

**PREFORMED** LINE PRODUCTS 

P.O. Box 91129, Cleveland, Ohio 44101 • 440.461.5200 • [www.preformed.com](http://www.preformed.com) • e-mail: [inquiries@preformed.com](mailto:inquiries@preformed.com)

SP2949-1